

ICECUT100

39-D 100 (120V)

ICECUT200

39-D 200 (120V)



EN Instructions FR Manueld'utilisation
ES Manual PT Manual

www.walter.com



TABLE OF CONTENTS

EN

	Page
1) Intended use	3
2) General safety rules	3
3) Information plate symbols	5
4) Specifications	6
5) Operational safety procedures	8
6) Operating instructions	8
7) Control panel operation	9
8) Gear selection	10
9) Magnet detection	10
10) ACCUDRILL Technology	11
11) Extension cable selection	11
12) Mounting of cutters	12
13) Capstan operation	12
14) Main operating problems and remedies	13
15) Fitting the chuck	14
16) Maintenance	14
17) Troubleshooting	16
18) Warranty Statement	17
19) Table of contents - French	18
20) Table of contents - Spanish	34
21) Table of contents- Portuguese	50
22) Spare Parts List	66

1) INTENDED USE

The intended use of this magnetic drilling unit is to drill holes in ferromagnetic metals (steel, steel alloys, 200 Series: stainless steel, etc...). The magnet is used to hold the drill in place while the drill is functioning. It is designed for use in fabrication, construction, railways, petrochemical and any other applications when drilling ferromagnetic metal. Any deviation from its intended use will not be covered by warranty.

2) GENERAL SAFETY RULES

WARNING! Read and understand all instructions. Failure to follow all instructions listed below, may result in electric shock, fire and/or serious personal injury.

SAVE THESE INSTRUCTIONS

WORK AREA

1. **Keep your work area clean and well lit.** Cluttered benches and dark areas invite accidents.
2. **Do not operate power tools in explosive atmospheres, such as in the presence of flammable liquids, gases, or dust.** Power tools create sparks which may ignite the dust or fumes.
3. **Keep bystanders, children, and visitors away while operating a power tool.** Distractions can cause you to lose control.

ELECTRICAL SAFETY

1. **Grounded tools must be plugged into an outlet properly installed and grounded in accordance with all codes and ordinances. Never remove the grounding prong or modify the plug in any way. Do not use any adaptor plugs. Check with a qualified electrician if you are in doubt as to whether the outlet is properly grounded.** If the tools should electrically malfunction or break down, grounding provides a low resistance path to carry electricity away from the user.
2. **Avoid body contact with grounded surfaces such as pipes, radiators, ranges and refrigerators.** There is an increased risk of electric shock if your body is grounded.
3. **Don't expose power tools to rain or wet conditions.** Water entering a power tool will increase the risk of electric shock.
4. **Do not abuse the cord. Never use the cord to carry the tools or pull the plug from an outlet. Keep cord away from heat, oil, sharp edges or moving parts. Replace damaged cords immediately.** Damaged cords increase the risk of electric shock.
5. **When operating a power tool outside, use an outdoor extension cord marked "W-A" or "W".** These cords are rated for outdoor use and reduce the risk of electric shock.

PERSONAL SAFETY

1. **Stay alert, watch what you are doing and use common sense when operating a power tool. Do not use tools when tired or under the influence of drugs, alcohol, or medication.** A moment of inattention while operating power tools may result in serious personal injury.
2. **Dress properly. Do not wear loose clothing or jewelry. Contain long hair. Keep your hair, clothing, and gloves away from moving parts.** Loose clothes, jewelry or long hair can be caught in moving parts.
3. **Avoid accidental starting. Be sure switch is off before plugging in.** Carrying tools with your finger on the switch or plugging in tools that have the switch on invites accidents.
4. **Remove adjusting keys or wrenches before turning the tool on.** A wrench or a key that is left attached to a rotating part of the tool may result in personal injury.
5. **Do not overreach. Keep proper footing and balance at all times.** Proper footing and balance enables better control of the tool in unexpected situations.
6. **Use safety equipment. Always wear eye protection.** Dust mask, non-skid safety shoes, hard hat or hearing protection must be used for appropriate conditions.

TOOL USE AND CARE

1. **Use clamps or other practical way to secure and support the workpiece to a stable platform.** Holding the work by hand or against your body is unstable and may lead to loss of control.

2. **Do not force tool. Use the correct tool for your application.** The correct tool will do the job better and safer at the rate in which it is designed.
3. **Do not use tool if switch does not turn it on or off.** Any tool that cannot be controlled with the switch is dangerous and must be repaired.
4. **Disconnect the plug from the power source before making any adjustments, changing accessories, or storing the tool.** Such preventive safety measures reduce the risk of starting the tool accidentally.
5. **Store idle tools out of reach of children and other untrained persons.** Tools are dangerous in the hands of untrained users.
6. **Maintain tools with care. Keep cutting tools sharp and clean.** Properly maintained tools, with sharp cutting edges are less likely to bind and are easier to control.
7. **Check for misalignment or binding of moving parts, breakage of parts, and any other condition that may affect the tools operation. If damaged, have the tool serviced before using.** Many accidents are caused by poorly maintained tools.
8. **Use only accessories that are recommended by the manufacturer for your model.** Accessories that may be suitable for one tool, may become hazardous when used on another tool.
9. **Always use safety chain.** Mounting can release.

SERVICE

1. **Tools service must be performed only by qualified repair personnel.** Service or maintenance performed by unqualified personnel could result in a risk of injury.
2. **When servicing a tool, use only identical replacement parts. Follow instructions in the Maintenance section of this manual.** Use of unauthorized parts or failure to follow Maintenance Instructions may create a risk of electric shock or injury.

ADDITIONAL IMPORTANT SAFETY NOTES

Remove the power supply before carrying out any adjustment, servicing or maintenance.

1. Keep work area clear - cluttered areas and benches invite injuries.
2. Consider work area environment;
 - Do not expose tools to rain.
 - Do not use tools in damp or wet locations.
 - Keep work area well lit (minimum of 500 Lux recommended).
 - Do not use tools in the presence of flammable liquids or gases.
 - Ensure there is adequate space to gain access to the plug, mains and motor on/off switches.
3. Guard against electric shock:

Avoid body contact with earthed or grounded surfaces (e.g. pipes, radiators, cookers and refrigerators).
Electric safety can be further improved by using a high-sensitivity (30 mA/0.1s) residual current device (RCD).
4. Keep other persons away! DO NOT let untrained persons, especially children, touch the tool or the extension cord and keep them away from the work area.
5. Store idle tools when not in use. All tools should be stored in a dry locked-up place, out of reach of children.
6. When using the drill, always ensure a safe operating distance from any swarf and do not reach into the cutting area, or near the cutter, when the machine is running.
7. Connect dust extraction and collecting equipment, if devices are provided, ensuring these are properly connected and used.
8. Do not abuse the cord; never pull the cord to disconnect it from the socket. Keep the cord away from heat, oil and sharp edges.
9. Secure work where possible, use clamps or a vise to hold the work. It is safer than using your hand.
10. Do not overreach! Keep proper footing and balance at all times.
11. Maintain tools with care;
 - Keep cutting tools sharp and clean for better and safer performance.
 - Regularly check the machine for any wear or damage.

- Ensure the machine is clean and free from debris prior to use.
 - Remove from the mains prior to any maintenance.
 - Follow instructions for lubricating and changing accessories.
 - Inspect tool cords periodically and if damaged have it repaired by an authorized Walter service facility.
 - Inspect extension cords periodically and replace if damaged.
 - Keep handles dry, clean and free from oil and grease.
12. Disconnect tools when not in use, before servicing and when changing accessories such as cutters, disconnect tools from the power supply.
 13. Form the habit of checking to see that keys and adjusting wrenches are removed from the tool before turning it on.
 14. Avoid unintentional starting. Ensure the magnet is OFF before plugging the machine in.
 15. Use extension leads only intended for outdoor use when the tool is used outdoors.
 16. **WARNING!** The vibration emissions during actual use can differ from the declared total value depending on the ways in which the tool is being used.
 17. Stay alert! Watch what you are doing, use common sense and do not operate the tool when you are tired. DO NOT operate the machine when under the influence of alcohol or ANY illegal substances.
 18. Check for damaged or missing parts before use of the tool; it should be carefully checked to determine that it will operate properly for its intended function.
 19. Warning! The use of any accessory or attachment, other than ones recommended in this instruction manual, may present a risk of personal injury.
 20. Have your machine repaired by a qualified Walter technician. This electric tool complies with the relevant safety rules. Qualified persons using original spare parts should only carry out repairs otherwise this may result in considerable danger to the user.
 21. Never operate the machine if parts are missing or damaged.
 22. Never direct jets of water or flammable liquids over the drill.

3) INFORMATION PLATE SYMBOLS



1



2



3



4

1. Refer to the user manual for operational and safety issues with regard to this machine.
2. Dispose of the machine and electrical components correctly.
3. Eye protection must be worn when operating the machine.
4. Ear defenders must be worn when operating the machine.

4) SPECIFICATIONS

ICECUT 100

Maximum hole cutting capacity: 30mm dia. x 35mm deep Arbor bore = 19.05mm (3/4") dia.

ICECUT 100	
Voltage / Frequency	120V 50-60Hz
Normal full load	7 A 850 W
Electro Magnet	0.6A 69W
Size	180mm long 90mm wide
Holding Force at 20°C with 25mm minimum plate thickness The use on any material less than 25mm thick will progressively reduce the magnetic performance. If possible, substitute material should be positioned under the magnet and work piece to equate to a suitable material thickness. If this is not possible, an alternative secure method of restraining the machine MUST be used.	10,000N
Total Load (magnet + motor)	919W
Overall Dimensions	
Height - maximum extended	414mm
Height - minimum	349mm
Width (including Capstan fitting)	165mm
Length Overall (including Guard)	270mm
Nett Weight	11.68kgs
PRODUCT CODE	39-D 100
Vibration total values (triax vector sum) in accordance with EN61029-1:	Vibration emission value (a _h):2.273m/s ² Uncertainty(K):1.5m/s ²
Level of sound pressure in accordance with EN61029-1:	<i>Sound pressure(LpA): 87.9 dB(A)</i> <i>Acoustic power(LWA): 100.9 dB(A) uncertainty(K): 3dB(A)</i>

Ear and eye protection must be worn when operating this machine. Wear gloves to protect hands when operating the machine.

We declare in our sole responsibility:

These MAGNETIC DRILLING UNITS comply with all relevant requirements of the directives and standards of CSA.

DO NOT USE ON D.C. SUPPLY

Do not use your magnetic drill on the same structure when arc welding is in progress.

D.C. current will ground back through the magnet and cause irreparable damage.

WARNING: THIS APPLIANCE MUST BE GROUNDED!

NB: ANY MODIFICATIONS TO THIS MACHINE WILL INVALIDATE THE WARRANTY

ICECUT 200

Maximum hole cutting capacity: steel = 40mm dia. x 50mm deep Arbor
bore = 19.05mm (3/4") dia.

ICECUT200		
Voltage / Frequency	120V 50-60Hz	
Normal full load	10 A	1200W
Electro Magnet	0.6A	69W
Size	180mm long 90mm wide	
Holding Force at 20°C with 25mm minimum plate thickness The use on any material less than 25mm thick will progressively reduce the magnetic performance. If possible, substitute material should be positioned under the magnet and work piece to equate to a suitable material thickness. If this is not possible, an alternative secure method of restraining the machine MUST be used.	10,000N	
Total Load (magnet + motor)	1269W	
Overall Dimensions		
Height - maximum extended	514mm	
Height - minimum	434mm	
Width (including Capstan fitting)	185mm	
Length Overall (including Guard)	285mm	
Net Weight	13.3kgs	
PRODUCT CODE	39-D 200	
Vibration total values (triax vector sum) in accordance with EN61029-1:	Vibration emission value (a_{11}): 2.746m/s ² Uncertainty(K): 1.5m/s ²	
Level of sound pressure in accordance with EN61029-1:	<i>Sound pressure(LpA): 90.6 dB(A)</i> <i>Acoustic power(LwA): 103.6 dB(A)</i> Uncertainty(K): 3dB(A)	

Ear and eye protection must be worn when operating this machine. Wear gloves to protect hands when operating the machine.

We declare in our sole responsibility:

These MAGNETIC DRILLING UNITS comply with all relevant requirements of the directives and standards of CSA.

DO NOT USE ON D.C. SUPPLY

Do not use your magnetic drill on the same structure when arc welding is in progress.

D.C. current will ground back through the magnet and cause irreparable damage.

WARNING: THIS APPLIANCE MUST BE GROUNDED!

NB: ANY MODIFICATIONS TO THIS MACHINE WILL INVALIDATE THE WARRANTY

5) OPERATIONAL SAFETY PROCEDURES

READ BEFORE USING THE MACHINE

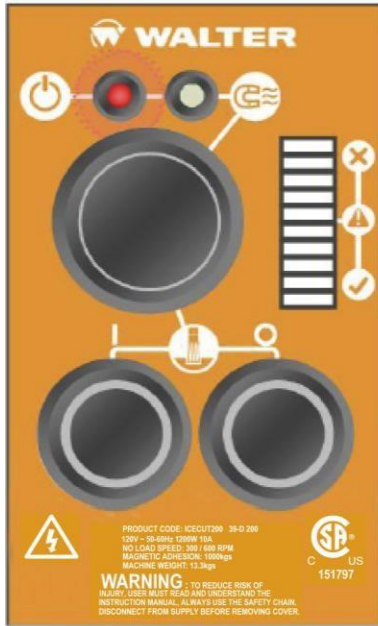
- When using electrical tools, basic safety precautions should always be followed to reduce the risk of electric shock, fire, and personal injury.
- Ensure the magnet is OFF before plugging in the machine.
- Do NOT use in wet or damp conditions. Failure to do so may result in personal injury.
- Do NOT use in the presence of flammable liquids, gases or in high risk environments. Failure to do so may result in personal injury.
- BEFORE activating the machine, inspect all electrical supply cables (including extension leads), and replace if damaged. DO NOT use if there are any signs of damage.
- Only use extension cables approved for site conditions.
- BEFORE activating the machine, ALWAYS check the correct function of all operational systems, switches, magnet etc.
- BEFORE operating, the machine MUST be securely restrained to a fixed independent feature (by using safety strap RD4329, or other means) to reduce the potential free movement, should the magnet become detached from the work piece. Failure to do so may result in personal injury.
- ALWAYS wear approved eye protectors, ear defenders and recommended PPE at ALL times when operating the machine.
- Disconnect from power source when changing cutters or working on the machine.
- Cutters and swarf are sharp, ALWAYS ensure that hands are adequately protected when changing cutters or removing swarf. Use a tool or brush where necessary to remove any swarf or the cutter from the arbor.
- Before operating the machine, ALWAYS ensure cutter-retaining screws are secured tightly.
- Regularly clear the work area and machine of swarf and dirt, paying particular attention to the underside of the magnet base.
- ALWAYS remove tie, rings, watches and any loose adornments that might entangle with the rotating machinery before operating.
- ALWAYS ensure that long hair is securely enclosed by an approved restraint before operating the machine.
- Should the cutter become stuck in the work piece, stop the motor immediately to prevent personal injury. Disconnect from power source and turn arbor to and fro. DO NOT ATTEMPT TO FREE THE CUTTER BY SWITCHING THE MOTOR ON AND OFF. Wear safety gloves to remove the cutter from the arbor.
- If the machine is accidentally dropped, ALWAYS thoroughly examine the machine for signs of damage and check that it functions correctly BEFORE resuming drilling.
- Regularly inspect the machine and check for any damaged or loose parts.
- ALWAYS ensure when using the machine in an inverted position that only the minimum amount of coolant is used and that care is taken to ensure that coolant does not enter the motor unit.
- Cutting tools may shatter, ALWAYS position the guard over the cutter before activating the machine. Failure to do so may result in personal injury.
- On completion of the cut, a slug will be ejected. DO NOT operate the machine as the ejected slug may cause injury.
- When not in use ALWAYS store the machine in a safe and secure location.
- ALWAYS ensure that approved WALTER agents conduct repairs.

6) OPERATING INSTRUCTIONS

- Keep the inside of the cutter clear of swarf. It restricts the operating depth of the cutter.
- Ensure that the coolant bottle contains sufficient cutting oil to complete the required operating duration. Refill as required.
- Occasionally depress the pilot to ensure cutting fluid is being correctly metered.
- To start the machine, follow the control panel operation instructions.
- ALWAYS switch off the motor by depressing the RED stop button. DO NOT switch off the motor by pressing the magnet switch.
- Apply light pressure when commencing the cut of a hole until the cutter is introduced into the work surface. Pressure can then be increased sufficiently to load the motor. Excessive pressure is undesirable, it does not increase the speed of penetration and will cause the safety overload protection device to stop the motor, (the motor can be restarted by operating the motor start button), and may cause excessive heat which may result in inconsistent slug ejection
 - Always ensure that the slug has been ejected from the previous hole before commencing to cut the next.
- If the slug sticks in the cutter, move the machine to a flat surface, switch on the magnet and gently bring the cutter down to make contact with the surface. This will usually straighten a cocked slug and allow it to eject normally.
- Apply a small amount of light oil lubricant regularly to the slide and arbor support bearing.
- Cutter breakage is usually caused by insecure anchorage, a loosely fitting slide or a worn bearing in the arbor support. (Refer to routine maintenance instructions).

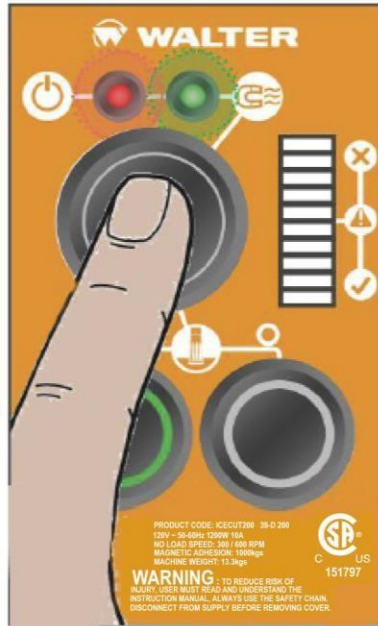
- Only use approved cutting fluid. Walter ICECUT cutting fluid has been specially formulated to maximise the cutters performance. It is available in 5 litres (53-C 056) and 20 litres (53-C 057).

7) CONTROL PANEL OPERATION



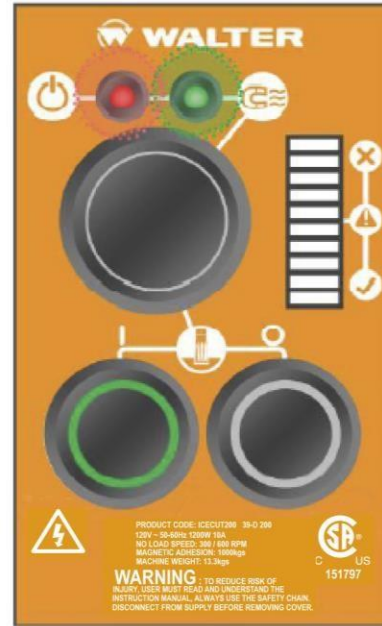
1) Power

When the drill is connected to the power supply, the RED LED will indicate power to the drill.



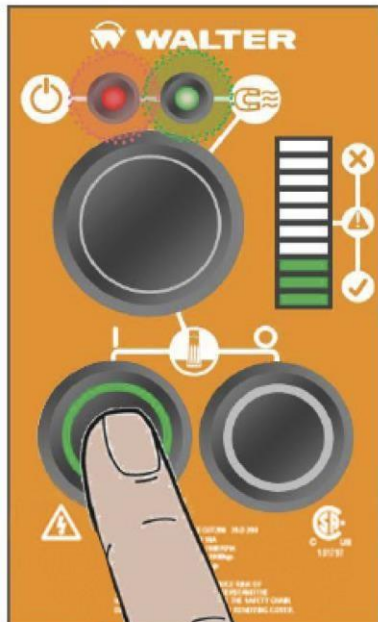
2) Magnet ON

To turn the magnet ON or OFF, depress the large button on the control panel. A GREEN LED will indicate the magnet is ON.



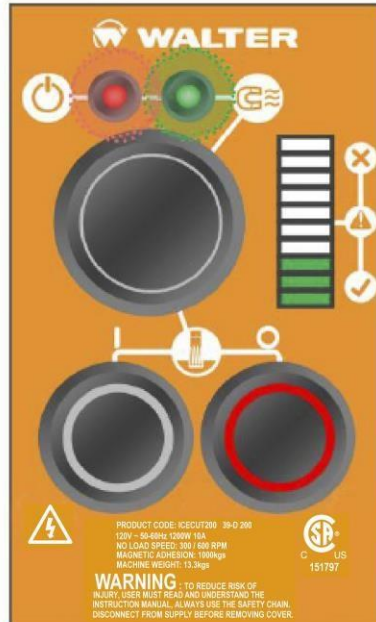
3) Motor switch

When the magnet has power the GREEN switch will light up to indicate motor start.



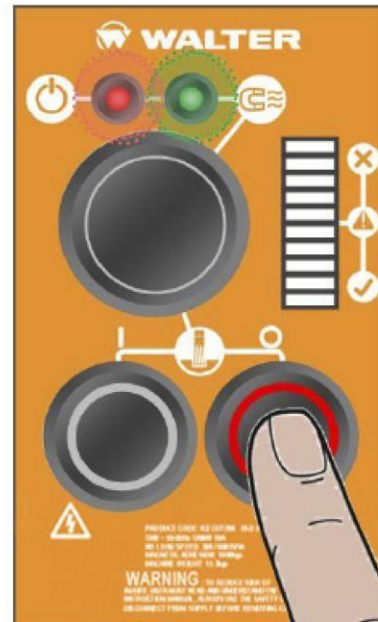
4) Motor ON

Press the GREEN Switch to turn the motor on. Proceed with cutting- following all safety guidelines...



5) Annular cutting

See below for detailed description of the control visual indicator



6) Motor OFF

To stop the motor press the RED switch. The motor will stop and the magnet will remain on. The GREEN switch will turn on.

8) GEAR SELECTION (ICECUT 200 only!)

The ICECUT200 magnetic drilling unit is fitted with a 2 speed gearbox. The gear is used to reduce the output speed when using larger cutters.

Up to 30mm diameter cutters, gear position 1 should be used.

30 – 40mm diameter cutters, gear position 2 should be used.



Gear position 1: High speed,
up to 30mm diameter cutters



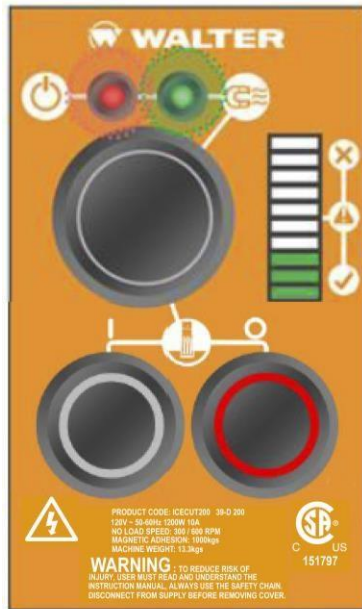
Gear position 2: Low speed, from
30 to 40mm diameter cutters

9) MAGNET DETECTION

It is advised that, when working on thin material, a packing piece should be used to increase the material thickness under the magnet. Working on thin material without a packing piece will reduce the magnet holding force. It is advised that the drill is to be operated on ferromagnetic material 8mm thick and above. Damage to the magnet base, such as pitting, will affect the strength of the magnet holding force.

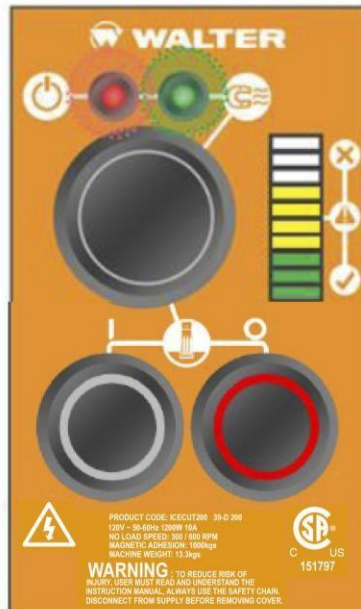
10) ACCUDRILL TECHNOLOGY

Designed for you, to get the most out of your machine and your annular core cutters. The ACCUDRILL Technology lets you know thanks to an easy-to-read LED indicator when you are drilling with too much force, which will damage the machine and the cutters. Allow the cutter to do the work and you will find that a much smoother hole and faster drilling time is achieved.



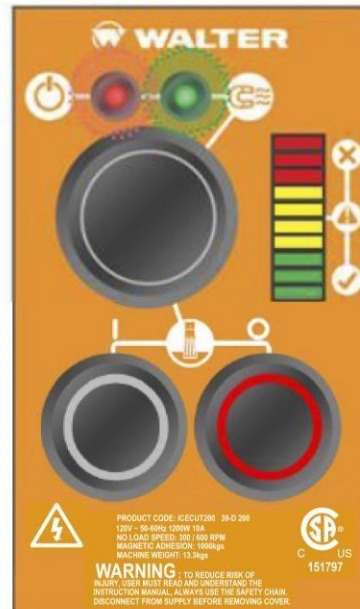
Green Zone

Good! Try to keep the level in the green zone for the best cutting and optimum machine performance.



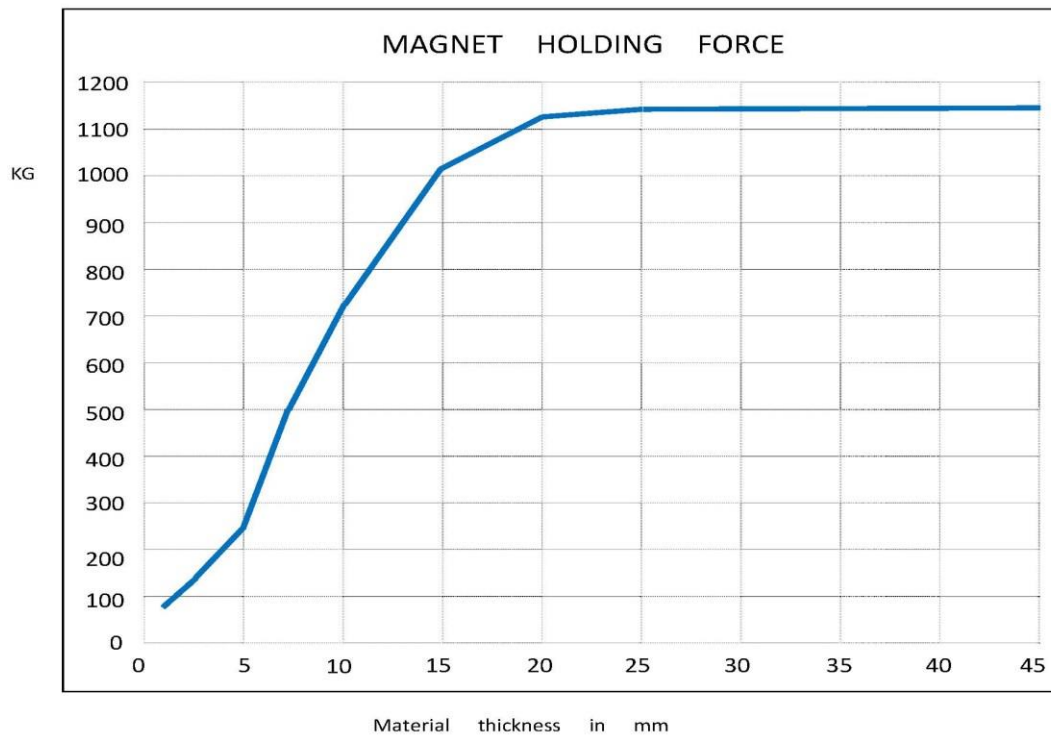
Yellow Zone

Indicates there is too much pressure on the drill. Ease off to get back to the green zone.



Red Zone

Overload: Back off immediately as continuing to apply too much force will cause the motor to cut off.



11) EXTENSION CABLE SELECTION

The machines are factory fitted with a 3 metre length of cable with conductors of 1.5mm² sections each: LIVE, NEUTRAL and GROUND. If it becomes necessary to fit an extension cable from the power source, care must be taken in using a cable of adequate capacity. Failure to do so will result in a loss of traction by the magnet and a reduction of power from the motor.

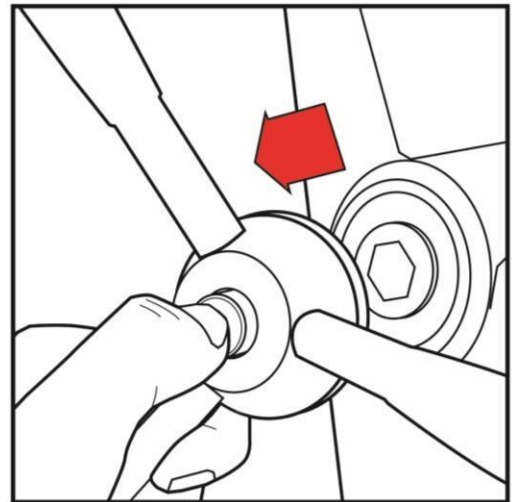
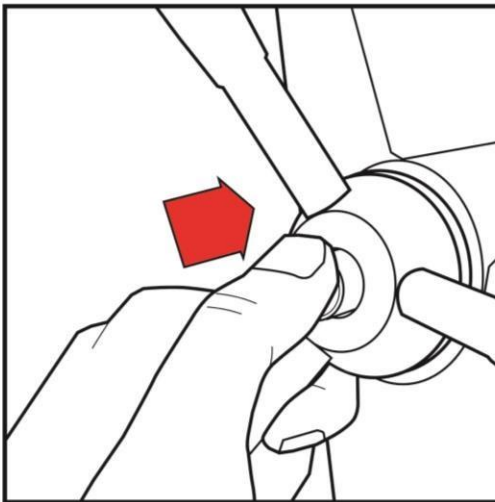
Assuming the correct AC voltage conditions are used, it is recommended not to exceed the following extension lengths:
For 120V supply: 3.5metres of 3 core x 1.5mm²

12) MOUNTING OF CUTTERS

ALWAYS DISCONNECT THE MACHINE FROM THE POWER SOURCE BEFORE CHANGING CUTTERS.

The machine has been made to accept cutters having 19.05mm (3/4") dia. Weldon shanks. The following procedure is to be used when mounting cutters:
Lay the machine on its side with feed handles uppermost; ensuring arbor is wound down to its lowest point to enable access to socket screws.
Take appropriate pilot and place through the hole in cutter shank. Insert shank of cutter into bore of arbor, ensuring alignment of two drive flats with socket screws.
Tighten both screws using hexagon key.

13) CAPSTAN OPERATION



The quick release capstan is a feature that offers the user a simple dual side operation.

To remove the capstan, simply do the following:

1. Press in the central button on the capstan hub, holding onto the capstan arms.
2. With the button pressed in, pull the capstan away from the main body, holding on to the capstan arms.
3. Re-insert the hexagonal shaft into the hexagonal slot to attach the capstan.

14) MAIN OPERATING PROBLEMS AND REMEDIES

<i>Problem</i>	<i>Cause</i>	<i>Remedy</i>
1) Magnetic base won't hold effectively	Material being cut may be too thin for efficient holding. Swarf or dirt under magnet. Irregularity on magnet contact or work-piece. Insufficient current going to magnet during drilling cycles.	Attach an additional piece of metal under the magnet, or mechanically clamp magnetic base to work-piece. Clean magnet. Use extreme care; file any imperfections flush to surface. Confirm power supply and output from control unit, check supply cable.
2) Cutter skips out of centrepunch mark at initiation of cut	Magnetic base is not holding effectively. Worn arbor bushing and/or ejector collar. Too much feed pressure at start of cut. Cutter is dull, worn, chipped or incorrectly sharpened. Poor centre-punch mark; weak pilot spring; pilot not centred in centre-punch mark. Worn or bent pilot, worn pilot hole. Loose bolts on motor bushing support bracket, main casting or loose gib adjusting set screws. Loose bolts on motor bushing support bracket, main casting or loose gib adjusting set screws.	See POINT 1) above. New arbor bushing is needed. Light pressure only is needed until a groove is cut. The groove then serves as a stabilizer. Replace or re-sharpen. Sharpening service is available. Improve centre-punch and/or replace worn parts Replace part or parts Adjust where necessary
3) Excessive drilling pressure required	Incorrectly re-sharpened, worn or chipped cutter. Coming down on swarf lying on surface of work-piece. Gibs out of adjustment or lack of lubrication. Swarf accumulated (packed) inside cutter.	Re-sharpen or replace. Take care not to start a cut on swarf. Adjust setscrews and lubricate. Clear cutter.
4) Excessive cutter breakage	Steel swarf or dirt under cutter. Incorrectly re-sharpened or worn cutter. Cutter skipping. Slide needs adjustment. Cutter not attached tightly to arbor. Insufficient use of cutting oil or unsuitable type of oil. Incorrect speed	Remove cutter, clean part thoroughly and replace. Always have a new cutter on hand to refer to for correct tooth geometry, together with instruction sheet. See POINT 2) above. Tighten screws supporting the slide. Retighten. Inject oil of light viscosity into the coolantinducing ring and check that oil is being metered into cutter when pilot is depressed. If not, check pilot groove and arbor internally for dirt or apply oil externally. (Even a small amount of oil is very effective). Ensure correct gear is use for the cutter.
5) Excessive cutter wear	Incorrectly re-sharpened cutter. Insufficient or spasmodic cutting pressure.	Refer to instructions and a new cutter for proper tooth geometry. Use sufficient steady pressure to slow the drill down. This will result in optimum cutting speed and chip load.

15) FITTING THE CHUCK

To remove the arbor, lay the machine on its side.

- Unscrew the two grub screws at the top of the arbor.
- When the arbor has become detached from the spindle it can then be removed.
- Remove the arbor support bracket and guard with the arbor retained.
- Mount the chuck using the chuck adaptor.
- Replace the chuck in the reverse sequence.

16) MAINTENANCE

In order to 'get the best life' out of your Walter machine always keep it in good working order.

A number of items must always be checked on Walter machines.

Before starting any job, always make sure the machine is in good working order and that there are no damaged or loose parts.

Any loose parts must be tightened.

Before proceeding with any maintenance work, be certain that the power supply is disconnected.

Description	Every operation	1 week	1 Month
Visual check of machine for damage	X		
Operation of machine	X		
Check brush wear		X	
Check magnetic base	X		
Check alignment of the machine			X
Check grease			X
Check armature			X

Visually check the machine for damage.

The machine must be checked before operation for any signs of damage that will affect the operation of the machine. Particular notice must be taken to the main cable. If the machine appears to be damaged it should not be used, failure to do so may cause injury or death.

Check machine operation.

The Machine operation must be checked to ensure that all components are working correctly.

Machine Brushes

Should be checked to make sure there is no abnormal wear (this should be checked at least once a week if used frequently). If the brush has worn more than 2/3 the original length, the brushes should be changed. Failure to do so may cause damage to the machine.

Magnetic base

Before every operation, the magnetic base should be checked to make sure that the base is flat and there is no damage present. An uneven magnet base will cause the magnet not to hold as efficiently and may cause injury to the operator.

Adjustment of slide and bearing bracket alignment.

An essential requirement of the machine is that the slide can move in a smooth and controlled manner, free of lateral movement and vibration.

This situation can be maintained by periodic adjustment of the slide and is accomplished in the following manner:

1. Place the machine in an upright position and, by means of the capstan, raise the slide to its highest position. Clean the brass gib strips and apply a small amount of light machine oil to the wear surfaces.
2. Now lower the slide back to its lowest position. Bring the slide into the center of the dovetail slide housing and loosen screws thus allowing free movement of the arbor support bracket.
3. Commencing with the middle screws, gently feed in all the screws until slight resistance is encountered.
4. Operate the slide up and down a few times to test the movement and make any further necessary adjustments. Try to ensure that all the screws are exerting a uniform pressure on the slide from top to bottom. A perfectly adjusted slide will operate freely up and down without any sideways movement.
5. Now raise the slide to its highest position. Slightly undo the arbor bearing bracket and, using fingers only, tighten the screws.
6. Place the machine on a steel plate, connect to power supply and switch on the magnet. Start up the motor. If the arbor is incorrectly aligned, the arbor support bracket will tend to oscillate. Make any necessary further adjustments to the bracket to ensure correct alignment of the spindle and finally tighten the screws using a spanner. Lastly, tighten the arbor bearing bracket.

Check machine grease.

The gearbox grease should be checked once a month to ensure all moving components are covered to prevent wear. The grease should be changed at least once a year to ensure you achieve the best results from your machine.

Check machine armature.

This should be checked at least once a month to check that there are no visual signs of damage to the body or to the commutator. Some signs of wear will be seen on the commutator over a period of time but this is normal (this is the part that comes into contact with the brushes). However, if there are any signs of abnormal damage, the part should be replaced.

17) TROUBLESHOOTING

Magnet and motor do not function	<ul style="list-style-type: none"> - The magnet switch is not connected to the power supply - Damaged or defective wiring - Defective fuse - Defective magnet switch - Defective control unit - Defective power supply
Magnet does function, the motor does not	<ul style="list-style-type: none"> - Damaged or defective wiring - Carbon brushes are stuck or worn out - Defective magnet switch - Defective on / off switch - Defective control unit - Defective armature and/or field - Defective protective reed switch
Magnet does not function, but motor does	<ul style="list-style-type: none"> - Defective magnet - Defective fuse - Defective control unit
Hole cutters break quickly; holes are bigger than the hole cutter	<ul style="list-style-type: none"> - Play in the guide - Bent spindle - Shaft extending from the motor is bent - Pilot bent
Motor running roughly and/or seizing up	<ul style="list-style-type: none"> - Bent spindle - Shaft extending from the motor is bent - Triangular guide not mounted straight - Dirt between spindle and triangular guide
Motor making a rattling sound	<ul style="list-style-type: none"> - Gear ring (bottom of the armature) worn out - Gear(s) worn out - No grease in gear box
Motor humming, big sparks and motor has no force	<ul style="list-style-type: none"> - Armature damaged - Field burned - Carbon brushes worn out
Motor does not start or fails.	<ul style="list-style-type: none"> - Damaged or defective wiring - Damage to armature or field coil - Damaged or defective brushes
Guiding takes a great deal of effort	<ul style="list-style-type: none"> - Guide is set too tight - Guide is dry - Guide/gear- rack/rotation system is dirty or damaged
Insufficient magnetic force	<ul style="list-style-type: none"> - Damaged or defective wiring - Bottom of magnet not clean and dry - Bottom of magnet not flat - Work piece is not bare metal - Work piece is not flat - Work piece is too thin less than 10mm - Defective control unit - Defective magnet
Frame under voltage	<ul style="list-style-type: none"> - Damaged / defective wiring - Defective magnet - Motor seriously dirty
Fuse blows when magnet switch is turned on	<ul style="list-style-type: none"> - Damaged or defective wiring - Wrong value fuse - Defective magnet switch - Defective control unit - Defective magnet
Fuse blows when motor is started up	<ul style="list-style-type: none"> - Damaged or defective wiring - Wrong value fuse - Motor running roughly - Defective armature and / or field - Carbon brushes worn out - Defective control unit
Rotation system free stroke too long	<ul style="list-style-type: none"> - Loose or defective gear-rack - Defective rotation system

18) WARRANTY STATEMENT

Walter Surface Technologies Inc. Warrants its machines to be free from faulty materials, under normal usage of machines, for a period of 12 months from initial date of purchase. All other parts (excluding cutters) are under warranty for 90 days.

This Warranty does not cover:

1. *Components that are subject to natural wear and tear caused by usage not in accordance with the operating instructions.*
2. *Defects in the tool caused by non-compliance with the operating instructions, improper use, abnormal environment conditions, inappropriate operating conditions, overload or insufficient servicing or maintenance.*
3. *Defects caused by using accessories, components or spare parts other than original Walter™ parts.*
4. *Tools to which changes or additions have been made.*
5. *Electrical components are subject to manufacturer's warranty.*

The warranty claim must be logged within the warranty period.

THIS WARRANTY IS IN LIEU OF ANY OTHER WARRANTY, (EXPRESSED OR IMPLIED) INCLUDING ANY WARRANTY OF MERCHANTABILITY OR FITNESS FOR A PARTICULAR PURPOSE. WALTER™ RESERVES THE RIGHT TO MAKE IMPROVEMENTS AND MODIFICATIONS TO DESIGN WITHOUT PRIOR NOTICE.

“ONLY THE BEST”

TABLE DES MATIÈRES

FR

	Page
1) Utilisation	19
2) Instructions générales de sécurité	19
3) Symboles signalétiques	22
4) Spécifications	24
5) Procédures de fonctionnement sécuritaires	25
6) Mise en marche	25
7) Panneau de contrôle	26
8) Sélection des vitesses	28
9) Performance de l'aimant	28
10) Technologie ACCUDRILL	28
11) Rallonges électriques	30
12) Assemblage de fraises annulaires	30
13) Bouton-poussoir des poignées	30
14) Conseils concernant le perçage de trous	31
15) Fixation de l'adaptateur	32
16) Inspections routinières	32
17) Dépannage	34
18) Garantie	35
19) Índice - Español	36
20) Índice - Português	54
21) Liste de Pièces de Rechanges	68

1) UTILISATION

L'utilisateur doit employer la perceuse magnétique afin de percer sur des métaux ferromagnétiques seulement. L'aimant sert à garder l'unité de perçage en place durant son fonctionnement. Cette unité de perçage a été conçue pour la fabrication, la construction, l'industrie ferroviaire, pétrochimique ainsi que toutes autres applications nécessitant le perçage sur métaux ferreux. It is designed for use in fabrication, construction, railways, petrochemical and any other applications when drilling ferrous metal.

Tout autre activité effectuée avec cet outil électrique ne sera pas couverte sous garantie.

2) INSTRUCTIONS GÉNÉRALES DE SÉCURITÉ

AVERTISSEMENT! Lire tous les avertissements de sécurité et toutes les instructions. Ne pas suivre les avertissements et instructions peut donner lieu à un choc électrique, un incendie et/ou une blessure sérieuse.

CONSERVER TOUS LES AVERTISSEMENTS ET TOUTES LES INSTRUCTIONS POUR POUVOIR S'Y REPORTER ULTÉRIEUREMENT.

SÉCURITÉ DE LA ZONE DE TRAVAIL

1. **Conserver la zone de travail propre et bien éclairée.** Les zones en désordre ou sombres sont propices aux accidents.
2. **Ne pas faire fonctionner les outils électriques en atmosphère explosive, par exemple en présence de liquides inflammables, de gaz ou de poussières.** Les outils électriques produisent des étincelles qui peuvent enflammer les poussières ou les fumées.
3. **Maintenir les enfants et les personnes présentes à l'écart pendant l'utilisation de l'outil.** Les distractions peuvent vous faire perdre le contrôle de l'outil.

SÉCURITÉ ÉLECTRIQUE

1. **Il faut que les fiches de l'outil électrique soient adaptées au socle. Ne jamais modifier la fiche de quelque façon que ce soit. Ne pas utiliser d'adaptateurs avec des outils à branchement de terre.** Des fiches non modifiées et des socles adaptés réduiront le risque de choc électrique.
2. **Éviter tout contact du corps avec des surfaces reliées à la terre telles que les tuyaux, les radiateurs, les cuisinières et les réfrigérateurs.** Il existe un risque accru de choc électrique si votre corps est relié à la terre.
3. **Ne pas exposer les outils à la pluie ou à des conditions humides.** La pénétration d'eau à l'intérieur d'un outil augmentera le risque de choc électrique.
4. **Ne pas maltraiter le cordon. Ne jamais utiliser le cordon pour porter, tirer ou débrancher l'outil. Maintenir le cordon à l'écart de la chaleur, du lubrifiant, des arêtes ou des parties en mouvement.** Des cordons endommagés ou emmêlés augmentent le risque de choc électrique.
5. **Lorsqu'on utilise un outil à l'extérieur, utiliser un prolongateur adapté à l'utilisation extérieure.** L'utilisation d'un cordon adapté à l'utilisation extérieure réduit le risque de choc électrique.
6. **Si l'usage d'un outil dans un emplacement humide est inévitable, utiliser une alimentation protégée par un dispositif à courant différentiel résiduel (RCD).** L'usage d'un RCD réduit le risque de choc électrique.

SÉCURITÉ DES PERSONNES

1. **Rester vigilant, regarder ce que vous êtes en train de faire et faire preuve de bon sens dans votre utilisation de l'outil. Ne pas utiliser un outil lorsque vous êtes fatigué ou sous l'emprise de drogues, d'alcool ou de médicaments.** Un moment d'inattention en cours d'utilisation d'un outil peut entraîner des blessures graves des personnes.
2. **Utiliser un équipement de sécurité. Toujours porter une protection pour les yeux.** Les équipements de sécurité tels que les masques contre les poussières, les chaussures de sécurité antidérapantes, les casques ou les protections acoustiques utilisées pour les conditions appropriées réduiront les blessures de personnes.

3. **Eviter tout démarrage Intempestif. S'assurer que l'interrupteur est en position arrêt avant de brancher l'outil au secteur et/ou au bloc de batteries, de le ramasser ou de le porter.** Porter les outils en ayant le doigt sur l'interrupteur ou brancher des outils dont l'interrupteur est en position marche est source d'accidents.
4. **Retirer toute clé de réglage avant de mettre l'outil en marche.** Une clé laissée fixée sur une partie tournante de l'outil peut donner lieu à des blessures de personnes.
5. **Ne pas se précipiter. Garder une position et un équilibre adaptés à tout moment.** Cela permet un meilleur contrôle de l'outil dans des situations inattendues.
6. **S'habiller de manière adaptée. Ne pas porter de vêtements amples ou de bijoux. Garder les cheveux, les vêtements et les gants à distance des parties en mouvement.** Des vêtements amples, des bijoux ou les cheveux longs peuvent être pris dans des parties en mouvement.
7. **Si des dispositifs sont fournis pour le raccordement d'équipements pour l'extraction et la récupération des poussières, s'assurer qu'ils sont connectés et correctement utilisés.** Utiliser des collecteurs de poussière peut réduire les risques dus aux poussières.

UTILISATION ET ENTRETIEN DE L'OUTIL

1. **Ne pas forcer l'outil. Utiliser l'outil adapté à votre application.** L'outil adapté réalisera mieux le travail et de manière plus sûre au régime pour lequel il a été construit.
2. **Ne pas utiliser l'outil si l'interrupteur ne permet pas de passer de l'état de marche à arrêt et vice versa. Tout outil/ qui ne peut pas être commandé par l'interrupteur est dangereux et il faut le réparer. Use clamps or other practical way to secure and support the workpiece to a stable platform.** Holding the work by hand or against your body is unstable and may lead to loss of control.
3. **Débrancher la fiche de la source d'alimentation en courant et/ou le bloc de batteries de l'outil avant tout réglage, changement d'accessoires ou avant de ranger l'outil.** De telles mesures de sécurité préventives réduisent le risque de démarrage accidentel de l'outil.
4. **Conserver les outils à l'arrêt hors de la portée des enfants et ne pas permettre à des personnes ne connaissant pas l'outil ou les présentes instructions de le faire fonctionner.** Les outils sont dangereux entre les mains d'utilisateurs novices.
5. **Observer la maintenance de l'outil. Vérifier qu'il n'y a pas de mauvais alignement ou de blocage des parties mobiles, des pièces cassées ou toute autre condition pouvant affecter le fonctionnement de l'outil. En cas de dommages, faire réparer l'outil avant de l'utiliser.** De nombreux accidents sont dus à des outils mal entretenus.
6. **Garder affûtés et propres les outils permettant de couper.** Des outils destinés à couper correctement entretenus avec des pièces coupantes tranchantes sont moins susceptibles de bloquer et sont plus faciles à contrôler.
7. **Utiliser l'outil, les accessoires et les lames etc., conformément à ces instructions, en tenant compte des conditions de travail et du travail à réaliser.** L'utilisation de l'outil pour des opérations différentes de celles prévues pourrait donner lieu à des situations dangereuses.

MAINTENANCE ET ENTRETIEN

1. **Faire entretenir l'outil par un réparateur qualifié utilisant uniquement des pièces de rechange identiques.** Cela assurera le maintien de la sécurité de l'outil.

AUTRE NOTES IMPORTANT SUR LE SECURITE

Coupez l'alimentation avant de procéder à tout réglage ou entretien de la perceuse.

1. Conservez l'aire de travail dégagée. Une aire encombrée augmente le risque de blessures.
2. Conditions à considérer :
 - Protégez les outils de la pluie;
 - Utilisez les outils dans des endroits secs;
 - Assurez-vous de bien éclairer votre aire de travail (nous recommandons 500 lux.);
 - Tenez tout liquide ou gaz inflammable à l'écart de vos outils;
 - Assurez-vous d'avoir un accès facile à la prise de courant, à l'interrupteur principal et à ceux du moteur.
3. Prévention des décharges électriques :

Évitez le contact physique avec les surfaces reliées à la terre (par exemple : un tuyau, un radiateur, une cuisinière, un réfrigérateur). La sécurité électrique peut être accrue en utilisant un dispositif à courant résiduel à grande sensibilité (30 mA/0,1 s).

4. Gardez toute personne à l'écart de l'aire de travail! Ne laissez pas une personne non qualifiée, plus particulièrement un enfant, toucher l'outil ou le câble de rallonge.
5. Rangez les outils dont vous ne vous servez pas dans un endroit sec, loin de la portée des enfants. Verrouillez-le.
6. Ne forcez pas la perceuse. Elle fonctionnera mieux et sera plus sécuritaire si vous l'utilisez convenablement.
7. Utilisez le bon outil :
 - Utilisez des outils robustes pour effectuer des travaux importants;
 - Utilisez cet outil seulement selon son utilisation prévue. Par exemple, n'utilisez pas la perceuse pour la coupe de bois.
8. Portez des vêtements adéquats :
 - Laissez les vêtements amples et les bijoux de côté, ils pourraient se prendre entre les pièces mobiles;
 - Portez des chaussures à semelles antidérapantes lorsque vous travaillez à l'extérieur;
 - Couvrez vos cheveux longs pour réduire le risque d'emmêlement.
9. Portez de l'équipement de protection lors de l'utilisation de cette perceuse :
 - Portez des lunettes de protection pour protéger vos yeux des débris;
 - Utilisez une protection auditive;
 - Portez un masque durant les travaux de coupe pour vous protéger de la poussière;
 - Portez des gants de protection pour protéger vos mains des débris et des copeaux.
10. Évitez de toucher les copeaux et de vous approcher de l'aire de coupe ou de la fraise lorsque la perceuse est en marche.
11. Branchez un dispositif d'aspiration de poussière si possible. Assurez-vous qu'il soit bien utilisé et qu'il soit correctement branché.
12. Prenez soin du câble : débranchez-le adéquatement de la fiche. Gardez-le à l'écart de toute source de chaleur, de l'huile et des surfaces coupantes.
13. Immobilisez les pièces travaillées. Se servir de serre-joints ou d'un étau est plus sécuritaire que d'utiliser vos mains. Soyez stable et gardez votre équilibre en tout temps. Ne déviez pas de votre posture!
14. Prenez soin de vos outils :
 - Gardez les outils de coupe aiguisés et propres pour des performances accrues et pour assurer votre sécurité;
 - Vérifiez régulièrement l'usure et tout dommage causé à la perceuse;
 - Assurez-vous que la perceuse est propre et exempte de tout débris avant de l'utiliser;
 - Coupez l'alimentation avant de procéder à l'entretien de la perceuse;
 - Suivez les directives pour la lubrification et le changement d'accessoires;
 - Inspectez le câble de la perceuse périodiquement afin de déceler tout dommage. Le cas échéant, adressez-vous à un service d'entretien Walter Technologies pour surfaces inc. autorisé pour toute réparation;
 - Inspectez les câbles de rallonge périodiquement et remplacez ceux qui sont endommagés;
 - Gardez les poignées sèches, propres et exemptes d'huile ou de graisse.
15. Débranchez la perceuse lorsque vous ne l'utilisez pas, pendant l'entretien et lors du changement d'accessoires tels que les fraises annulaires.
16. Prenez l'habitude de vérifier qu'aucune clé n'est à proximité de la perceuse avant de la démarrer.
17. Évitez de démarrer la perceuse involontairement. Assurez-vous que l'aimant n'est pas sous tension avant de brancher la perceuse.
18. Utilisez des câbles de rallonge conçus pour l'extérieur lorsque vous y travaillez.
19. **ATTENTION!** Les vibrations émises par la perceuse en marche peuvent différer des valeurs de vibration données selon la façon dont elle est utilisée.
20. Soyez alerte! Regardez ce que vous faites, utilisez votre jugement et n'utilisez pas la perceuse en cas de fatigue. N'UTILISEZ PAS la perceuse si vous avez consommé de l'alcool ou TOUTE substance illégale.
21. Vérifiez qu'il ne manque aucune pièce avant d'utiliser la perceuse. Assurez-vous que toutes les pièces sont en bon état. Le bon fonctionnement de la perceuse en dépend.
22. Attention! L'utilisation de tout accessoire non recommandée dans ce manuel d'utilisation peut représenter un risque de blessure.

23. Faites réparer votre perceuse par un technicien qualifié Walter Technologies pour surfaces inc. Cet outil électrique est conforme aux règles de sécurité pertinentes. Seules les personnes qualifiées, utilisant des pièces de rechange originales, devraient exécuter les réparations. Autrement, la sécurité de l'utilisateur est compromise.
24. N'utilisez jamais cet outil si des pièces sont manquantes ou endommagées.
25. Ne projetez jamais d'eau ou de liquide inflammable sur la perceuse.

3) SYMBOLES SIGNALÉTIQUES



1



2



3



4

1. Référez-vous au manuel d'utilisation pour des questions opérationnelles ou de sécurité en lien avec cet outil.
2. Jetez l'outil et les composants électriques à un endroit approprié.
3. Portez des lunettes de protection lorsque vous utilisez cet outil.
4. Portez une protection auditive lorsque vous utilisez cet outil.

4) SPÉCIFICATIONS

ICECUT 100

Capacité maximale de perçage : 30mm de diamètre x 35mm de profondeur Arbor
bore = 19.05mm (3/4") dia.

ICECUT 100		
Tension / Fréquence	120V 50-60Hz	
Pleine charge	7 A	850W
Électro-aimant	0.6A	69W
Dimensions	180mm de long 90mm de large	
Force magnétique à 20 °C pour un matériau de 25 mm d'épais Épaisseur minimale de la tôle Travailler sur une pièce plus mince que 25 mm réduira progressivement les performances de l'aimant. Si possible, ajoutez un autre matériau sous l'aimant ou à la pièce à travailler pour arriver à une épaisseur adéquate. Dans le cas contraire, la machine DOIT être stabilisée autrement.	10,000N	
Charge totale (aimant + moteur)	919W	
Dimensions globales		
Hauteur — extension maximale	414mm	
Hauteur minimum	349mm	
Largeur (incluant le cabestan)	165mm	
Longueur totale (incluant la garde)	270mm	
Poids net	11.68kgs	
	39-D 100	
Valeur totale des vibrations (somme vectorielle triaxiale) selon la norme EN61029-1 :	Valeur d'émission vibratoire (a_h):2.273m/s ² Incertitude: (K):1.5m/s ²	
Niveau de pression acoustique selon la norme EN61029-1 :	<i>Pression acoustique :</i> 87.9 dB(A) <i>Puissance acoustique (L_wA):</i> 100.9 dB(A) Incertitude (K): 3dB(A)	

Vous devez porter une protection oculaire et auditive lorsque vous utilisez cet outil. Portez aussi des gants pour protéger vos mains.

Cet outil, conçu au Royaume-Uni et fabriqué à l'étranger, est conforme aux exigences HD.400.1 et BS.2769/84 du CEC.

NE PAS ALIMENTER EN COURANT CONTINU.

N'utilisez pas votre perceuse magnétique sur la même structure que celle utilisée pour le soudage à l'arc lorsque celui-ci est en cours.

Le courant continu peut rebondir vers l'aimant et causer des dommages irréparables.

ATTENTION : CET ENGIN DOIT ÊTRE MIS À LA TERRE!

NB : TOUTE MODIFICATION À CET ENGIN ENTRAÎNE L'ANNULATION DE LA

ICECUT 200

Capacité maximale de perçage : 40 mm de diamètre x 50 mm de profondeur Alésage de l'arbre = 19,05 mm (3/4 po) de diamètre.

ICECUT200	
Tension / Fréquence	120 V 50-60 Hz
Pleine charge	10 A 1200W
Électro-aimant	0.6A 69W
Dimensions	180mm de long 90mm de large
Force magnétique à 20 °C pour un matériau de 25 mm d'épais Épaisseur minimale de la tôle Travailler sur une pièce plus mince que 25 mm réduira progressivement les performances de l'aimant. Si possible, ajoutez un autre matériau sous l'aimant ou à la pièce à travailler pour arriver à une épaisseur adéquate. Dans le cas contraire, la machine DOIT être stabilisée autrement.	10,000 N
Charge totale (aimant + moteur)	1269 W
Dimensions globales	
Hauteur — extension maximale	514 mm
Hauteur minimum	434 mm
Largeur (incluant le cabestan)	185 mm
Longueur totale (incluant la garde)	285 mm
Poids net	13.3 kg
	39-D 200
Valeur totale des vibrations (somme vectorielle triaxiale) selon la norme EN61029-1 :	Valeur d'émission vibratoire (a_{hv}) : 2 746 m/s ² Incertitude (K) : 1,5 m/s ²
Niveau de pression acoustique selon la norme EN61029-1 :	<i>Pression acoustique (LpA) : 90,6 dB (A)</i> <i>Puissance acoustique (LwA) : 103,6 dB (A)</i> Incertitude (K) : 3 dB (A)

Vous devez porter une protection oculaire et auditive lorsque vous utilisez cet outil. Portez aussi des gants pour protéger vos mains.

Cet outil, conçu au Royaume-Uni et fabriqué à l'étranger, est conforme aux exigences HD.400.1 et BS.2769/84 du CEC.

NE PAS ALIMENTER EN COURANT CONTINU.

N'utilisez pas votre perceuse magnétique sur la même structure que celle utilisée pour le soudage à l'arc lorsque celui-ci est en cours.

Le courant continu peut rebondir vers l'aimant et causer des dommages irréparables.

ATTENTION : CET ENGIN DOIT ÊTRE MIS À LA TERRE!

NB : TOUTE MODIFICATION À CET ENGIN ENTRAÎNE L'ANNULATION DE LA GARANTIE

5) PROCÉDURES DE FONCTIONNEMENT SÉCURITAIRES

À LIRE AVANT L'UTILISATION

- Observez des mesures de sécurité générales lors de l'utilisation d'outils électriques afin de réduire les risques d'incendie, de décharges électriques ou de blessures.
- Assurez-vous que l'aimant n'est pas sous tension au moment de brancher l'outil.
- N'utilisez pas cet outil dans un environnement mouillé ou humide. Dans le cas contraire, des blessures peuvent en découler.
- Utilisez cet outil loin de tout liquide ou gaz inflammable et loin de tout environnement à risque. Dans le cas contraire, des blessures peuvent en découler.
- Inspectez tous les câbles électriques, incluant les rallonges, et remplacez ceux endommagés AVANT de démarrer l'outil. N'utilisez pas l'outil s'il semble endommagé.
- Utilisez les câbles de rallonges adéquats aux conditions de travail.
- Vérifiez toujours le bon fonctionnement de tous les systèmes, des interrupteurs, de l'aimant, etc. AVANT de démarrer l'outil.
- Assurez-vous de bien immobiliser l'outil sur une structure fixe indépendante AVANT de démarrer l'outil. Pour ce faire, vous pouvez entre autres utiliser les sangles de retenue afin de réduire le risque de déplacement si l'aimant se détache de la pièce à travailler. Dans le cas contraire, des blessures peuvent en découler.
- Portez TOUJOURS une protection oculaire et auditive EPI approuvée et recommandée lorsque vous utilisez l'outil.
- Débranchez l'outil de toute source d'alimentation avant de procéder à son entretien ou de changer la fraise.
- Assurez-vous de TOUJOURS protéger vos mains adéquatement lorsque vous changez la fraise ou enlevez les copeaux, car ceux-ci sont coupants. Au besoin, utilisez un outil ou une brosse pour les retirer de l'arbre.
- Assurez-vous que les vis de retenue de la fraise sont TOUJOURS suffisamment serrées avant de démarrer l'outil.
- Dégagez l'aire de travail des copeaux et de la saleté de façon régulière. Portez une attention particulière au-dessous de la base magnétique.
- Enlevez TOUJOURS votre cravate, vos bagues, votre montre et tout accessoire encombrant susceptibles de se prendre dans la machinerie rotative avant d'utiliser l'outil.
- Assurez-vous de TOUJOURS attacher les cheveux longs avant d'utiliser la perceuse.
- Si la fraise se bloque dans la pièce à travailler, arrêtez le moteur immédiatement afin de prévenir les blessures. Débranchez la machine de la source d'alimentation et effectuez un mouvement de va-et-vient avec l'arbre. **NE TENTEZ JAMAIS DE DÉGAGER LA FRAISE EN DÉMARRANT ET EN ARRÊTANT LE MOTEUR.**
- Si la perceuse tombe accidentellement, examinez-la attentivement afin de déceler tout dommage et vérifiez qu'elle fonctionne convenablement AVANT de reprendre le perçage.
- Inspectez régulièrement la perceuse et vérifiez qu'aucune pièce n'est endommagée ou desserrée.
- Lorsque vous utilisez la perceuse en mode inversé, assurez-vous de TOUJOURS utiliser la quantité minimum de liquide de refroidissement et que celui-ci ne pénètre pas dans l'unité motrice.
- Les outils de coupe peuvent se briser. Assurez-vous de TOUJOURS placer le garde devant la fraise avant de démarrer la perceuse. Dans le cas contraire, des blessures peuvent en découler.
- Après avoir percé un trou, un lopin sera éjecté. Ne faites pas fonctionner la perceuse, le lopin pourrait causer des blessures.
- Rangez TOUJOURS la machine dans un endroit sûr lorsqu'elle n'est pas utilisée.
- Assurez-vous que SEULS des techniciens WALTER TECHNOLOGIES POUR SURFACES INC. effectuent les réparations nécessaires.

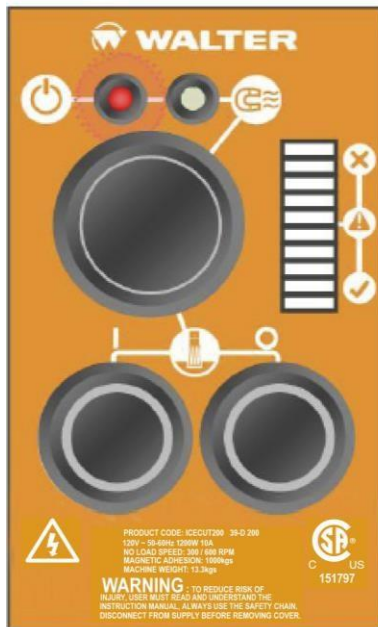
6) MISE EN MARCHÉ

- Assurez-vous qu'il n'y a pas de copeaux dans la fraise. Cela pourrait réduire la profondeur de la coupe.
- Assurez-vous de disposer de la quantité d'huile de coupe suffisante pour le travail à accomplir. Remplissez votre bouteille au besoin.
- Appuyez sur le pilote de temps à autre pour vérifier que l'huile de coupe est correctement dosée.
- Pour mettre la perceuse en marche, suivez les directives du tableau de contrôle.
- Pour éteindre le moteur, appuyez TOUJOURS sur le bouton d'arrêt rouge. **N'ÉTEIGNEZ PAS** le moteur en appuyant sur l'interrupteur de l'aimant.
- Pour commencer à percer, appliquez une légère pression jusqu'à ce que la fraise pénètre la surface de travail. Augmentez la pression pour charger le moteur. Évitez d'appliquer une trop grande pression; ceci n'accélérera pas le perçage et le mécanisme de prévention de surcharge fera arrêter le moteur (celui-ci peut être redémarré en enfonçant le bouton de démarrage du moteur). Cela peut aussi causer une surchauffe pouvant compromettre

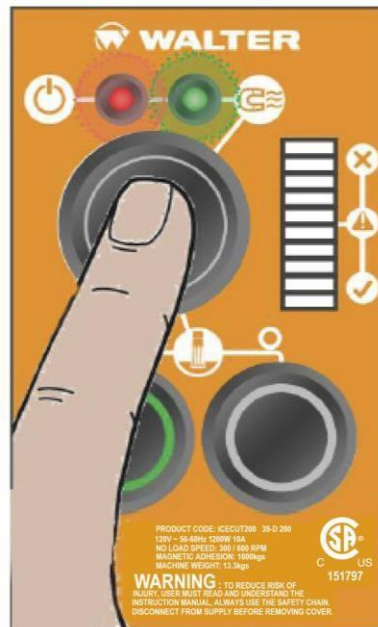
l'éjection normale du lopin.

- Assurez-vous d'avoir retiré le lopin résultant du trou précédent avant de percer à nouveau.
- Si un lopin se coince dans la fraise, placez la machine sur une surface plane, mettez l'aimant sous tension et abaissez délicatement la fraise jusqu'à ce qu'elle entre en contact avec la surface. Cette action devrait permettre de redresser le lopin et de l'éjecter.
- Appliquez une petite quantité d'huile de graissage légère régulièrement sur le roulement de support de la glissière et de l'arbre.
- Le bris de fraise est normalement occasionné par un ancrage inadéquat, une glissière mal ajustée ou un roulement de support de l'arbre usé (voir les directives d'entretien).
- N'utilisez que l'huile de coupe recommandée. L'huile de coupe ICECUT de Walter Technologies pour surfaces inc. est spécialement formulée pour optimiser les performances de la fraise. Elle est offerte en quantité de 5 litres (53-C 056) ou de 20 litres (53-C 057).

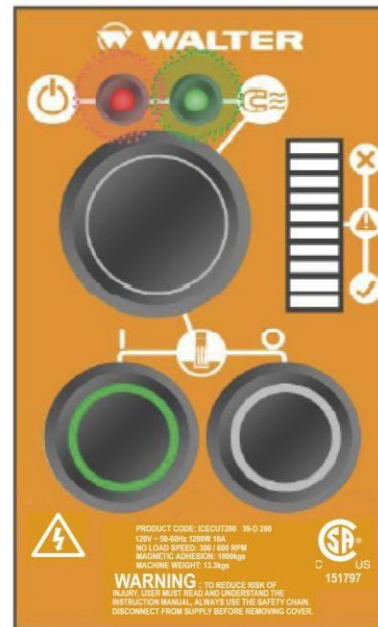
7) PANNEAU DE CONTRÔLE



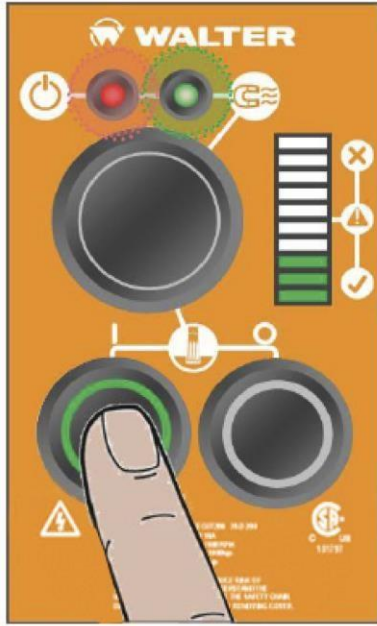
1) Tension Lorsque la perceuse est branchée à une source d'alimentation, le voyant lumineux rouge



2) Tension de l'aimant Enfoncez le grand bouton pour mettre l'aimant sous tension ou l'éteindre. Le voyant lumineux vert s'allume lorsqu'il est sous

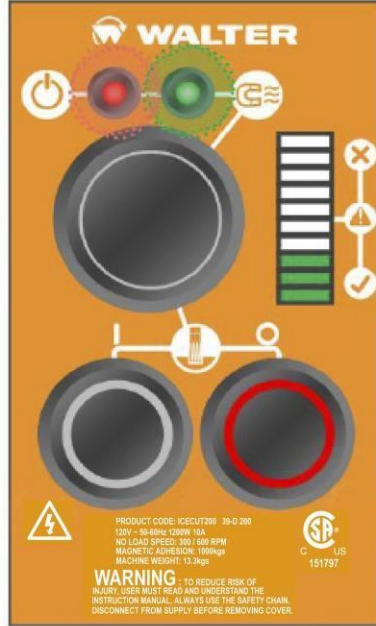


tension. **3) Interrupteur du moteur** Lorsque l'aimant est sous tension, l'interrupteur vert s'allume pour indiquer comment démarrer le moteur.



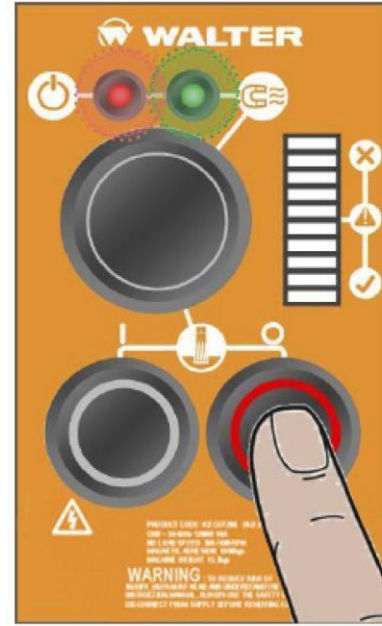
4) Démarrer le moteur

Enfoncez l'interrupteur vert pour démarrer le moteur. Commencez percer en suivant toutes les



5) Perçage

Voir la description détaillée des indicateurs de niveau ACCUDRILL cià dessous. consignes de sécurité.



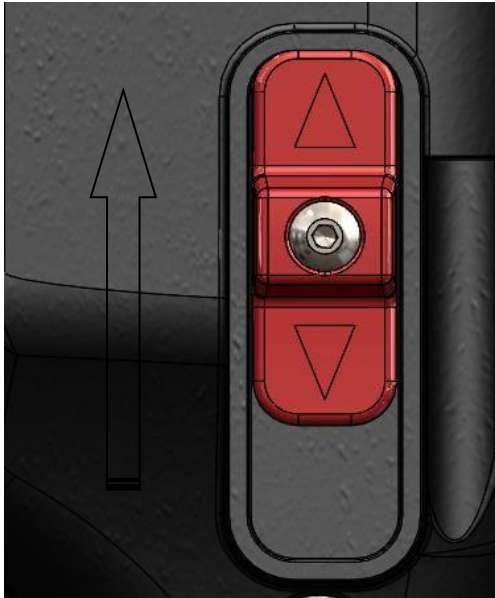
6) Éteindre le moteur

Enfoncez l'interrupteur rouge pour éteindre le moteur. Celui-ci s'arrête, mais l'aimant reste sous tension. L'interrupteur vert s'illumine.

8) SÉLECTION DES VITESSES (ICECUT200 seulement)

La perceuse magnétique Icecut 200 est dotée d'une boîte à deux vitesses. Elle sert à réduire la vitesse de sortie lors avec une fraise de plus grand diamètre.

Utilisez la 1re vitesse pour une fraise dont le diamètre est plus petit que 30 mm. Utilisez la 2e vitesse pour une fraise dont le diamètre varie entre 30 et 40 mm.



Position 1 : grande vitesse
Pour une fraise d'un diamètre inférieur à 30 mm.



Position 2 : basse vitesse
Pour une fraise d'un diamètre variant entre 30 et 40 mm.

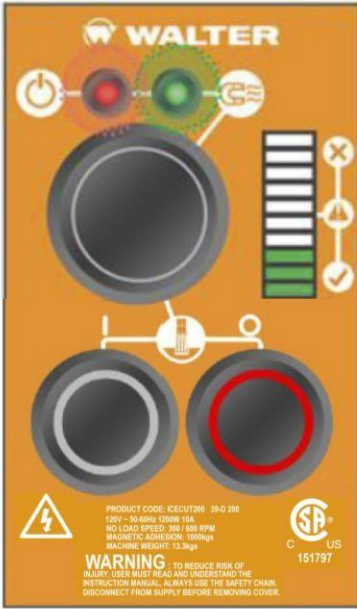
9) PERFORMANCE DE L'AIMANT

Lorsque vous travaillez sur une pièce mince, il est recommandé d'utiliser une cale pour augmenter l'épaisseur du matériau sous l'aimant. Si vous omettez de le faire, la force magnétique de l'aimant sera réduite.

Il est conseillé d'utiliser la perceuse sur des matériaux ferromagnétique de plus de 8 mm d'épaisseur. Des dommages à la base magnétique, comme la corrosion, entraînent une baisse de la force magnétique de l'aimant.

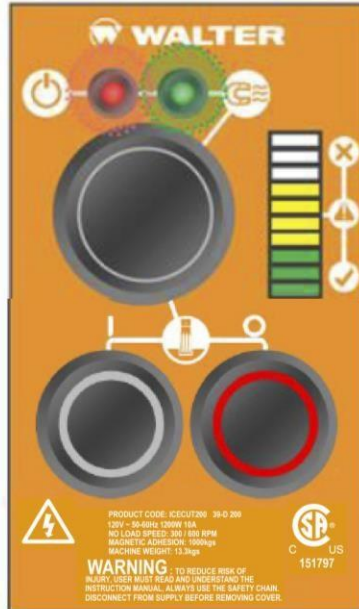
10) Technologie ACCUDRILL

Conçus pour vous permettre de tirer le meilleur de la perceuse et de vos fraises, les indicateurs de niveau la technologie ACCUDRILL sont faciles à lire. Lors du perçage, ils indiquent par un témoin LED quand la pression appliquée risque d'endommager votre équipement. Laissez la fraise faire le travail et vous constaterez à quel point le perçage est facile et rapide.



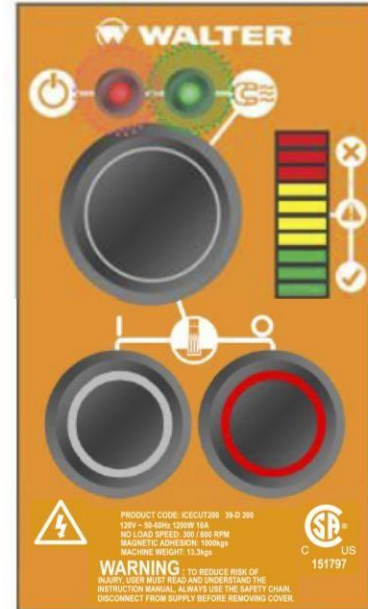
Zone verte

Bon! Tentez de rester dans cette zone pour une coupe impeccable et un rendement optimal.



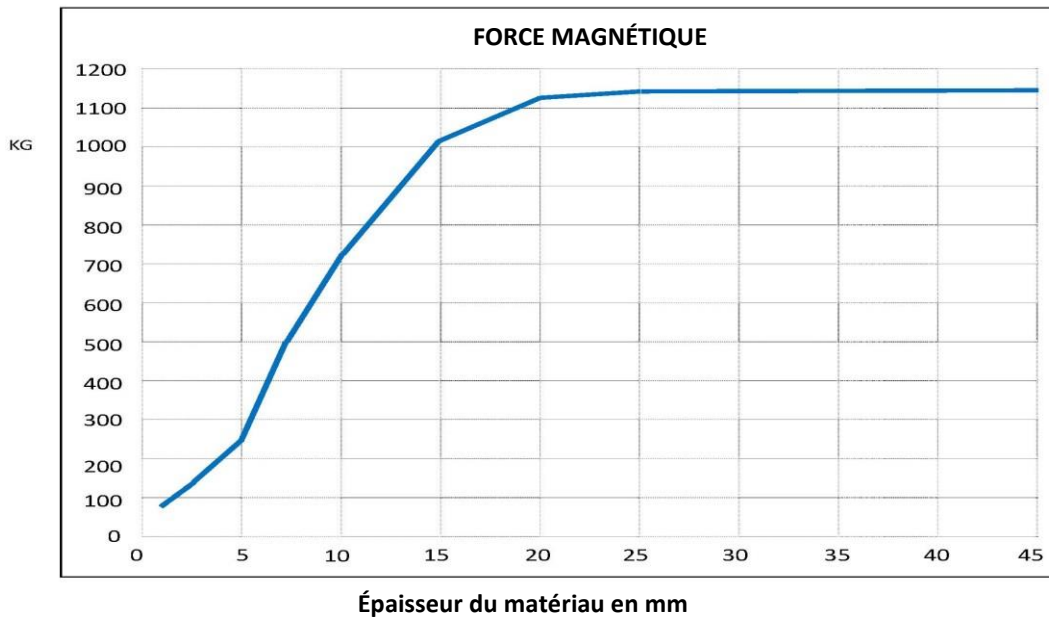
Zone jaune

Indique que vous appliquez trop de pression. Relâchez légèrement pour retourner dans la zone verte.



Zone rouge

Surcharge : relâchez immédiatement. La machine s'arrêtera si vous continuez d'appliquer une trop grande pression.



11) RALLONGES ÉLECTRIQUES

La perceuse est offerte avec un câble de trois mètres de long. Ce câble est composé de trois âmes de 1,5 mm² : la PHASE, le NEUTRE et la TERRE. Si vous avez besoin d'ajouter un câble de rallonge au câble d'alimentation, assurez-vous qu'il soit adéquat. Dans le cas contraire, la force de l'aimant et la puissance du moteur seront réduites.

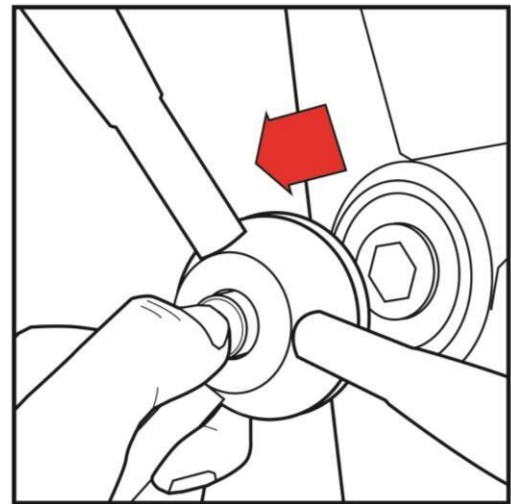
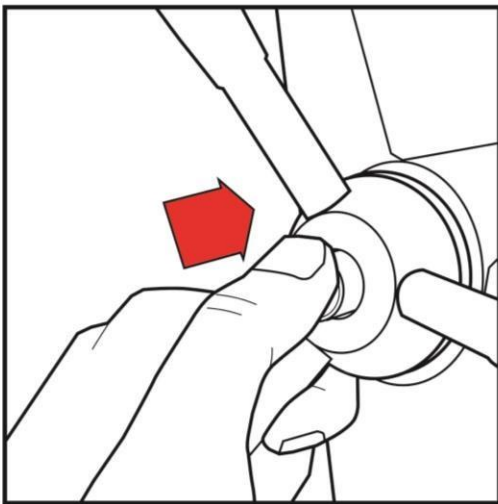
La perceuse doit être alimentée en courant alternatif d'une tension appropriée. Il est recommandé d'utiliser des rallonges dont la longueur n'excède pas les mesures suivantes : **Alimentation de 110 V : 3,5 mètres de câble à trois fils x 1,5 mm²**

12) ASSEMBLAGE DE FRAISES ANNULAIRES

DÉBRANCHEZ TOUJOURS LA PERCEUSE DE LA SOURCE D'ALIMENTATION AVANT DE PROCÉDER AU CHANGEMENT DE LA FRAISE.

- La perceuse est conçue pour recevoir une fraise de 19,05 mm (3/4 po) de diamètre (tige Weldon). Suivez les directives suivantes pour installer la fraise.
- Couchez la perceuse sur le côté, avec les poignées vers le haut, et assurez-vous que l'arbre soit abaissé au plus bas afin d'avoir accès aux vis creuses RD4066.
- Prenez le pilote adéquat et placez-le dans l'emplacement désigné pour recevoir la tige de la fraise. Insérez la tige de la fraise dans l'alésage de l'arbre en vous assurant que les deux côtés plats soient alignés sur les vises creuses.
- Serrez les deux vis à l'aide de la clé hexagonale.

13) BOUTON-POUSSOIR DES POIGNÉES



Le cabestan à relâchement rapide peut facilement être retiré en deux étapes faciles :

1. Enfoncez le bouton central du moyeu du cabestan en tenant les bras de celui-ci.
2. Tout en gardant le bouton enfoncé, retirez le cabestan de la pièce principale en tenant les bras de celui-ci.
3. Réinsérez l'arbre hexagonal dans la fente hexagonale pour fixer le cabestan.

14) CONSEILS CONCERNANT LE PERÇAGE DE TROUS

<i>Problème</i>	<i>Cause</i>	<i>Solution</i>
1) La base magnétique ne tient pas correctement	Le matériau à percer peut-être trop mince pour qu'il tienne convenablement. Il y a de la saleté ou des copeaux sous l'aimant. Le contact avec l'aimant ou la pièce à travailler est irrégulier. Le courant acheminé à l'aimant est insuffisant durant le perçage	Ajoutez une pièce métallique sous l'aimant ou fixez la pièce à travailler à la base magnétique de façon mécanique. Nettoyez l'aimant. Soyez extrêmement prudent, limez toute imperfection sur la surface. Vérifiez la source d'alimentation de l'unité de contrôle. Vérifiez l'état du câble d'alimentation.
2) La fraise sautille à l'extérieur de la marque de poinçon au début du perçage	La base magnétique ne tient pas convenablement. La bague de l'arbre ou l'éjecteur est usé. La pression appliquée est trop forte au début du perçage. La fraise est émoussée, usée, ébréchée ou mal aiguisée. La marque de poinçon est peu apparente, le ressort du pilote est faible et le pilote n'est pas centré sur la marque de poinçon. Le pilote est usé ou plié et l'avant-trou est usé. Les boulons de la bague de support du moteur, l'entretoise ou les vis de pression de la glissière sont desserrés.	Voir point 1) ci-dessus. La bague de l'arbre doit être remplacée. Une légère pression est suffisante pour créer un creux. Ce creux servira ensuite de stabilisateur. Remplacez ou aiguisiez la fraise. Nous offrons un service d'aiguisage. Accentuez la marque de poinçon et remplacez les pièces usées. Remplacez-la ou les pièces. Procédez aux ajustements nécessaires.
3) Le perçage requiert une pression excessive	La fraise est mal aiguisée, est usée ou ébréchée. La fraise touche un copeau à la surface de la pièce à travailler. La glissière est mal ajustée ou manque de lubrification. Des copeaux se sont accumulés sur la fraise.	Aiguisiez ou remplacez la fraise. Assurez-vous de ne pas commencer à percer sur un copeau. Ajustez les vis de pression et lubrifiez le tout. Nettoyez la fraise.
4) La fraise brise souvent	Il y a des copeaux ou de la saleté sous la fraise. La fraise est mal aiguisée ou usée. La fraise sautille. La glissière doit être ajustée. La fraise n'est pas solidement fixée à l'arbre. L'huile de coupe utilisée est insuffisante ou inadéquate. La vitesse n'est pas adéquate.	Retirez la fraise, nettoyez bien la pièce et remplacez la fraise. Ayez toujours la feuille de directives et une fraise neuve à portée de main pour comparer la géométrie correcte des dents. Voir POINT 2) ci-dessus. Serrez les vis sans tête qui soutiennent la glissière. Resserrez la fraise. Appliquez une huile légère dans la bague de distribution de liquide de refroidissement et vérifiez que celle-ci est dosée dans la fraise lorsque le pilote est relâché. Si ce n'est pas le cas, vérifiez qu'il n'y ait pas de saleté dans la gorge du pilote ni à l'intérieur de l'arbre. Appliquez de l'huile à l'extérieur de celui-ci (même une petite quantité d'huile est très efficace). Assurez-vous d'utiliser la bonne vitesse selon le type de fraise.
5) L'usure de la fraise est excessive	Voyez les causes et les solutions ci-dessus. La fraise est mal aiguisée. La pression appliquée lors du perçage est insuffisante ou spasmodique.	Référez-vous aux directives et à une fraise neuve pour la géométrie adéquate des dents. Appliquez la pression nécessaire au ralentissement de la perceuse pour une vitesse et une profondeur de coupe optimale.

15) INSTALLATION DE L'ADAPTATEUR

- Pour retirer l'arbre, couchez la machine sur le côté.
- Dévissez les deux vis sans tête au-dessus de l'arbre.
- L'arbre est détaché du filet, il peut être retiré.
- Retirez le support et la garde de l'arbre tout en retenant ce dernier.
- Installez le mandrin à l'aide du porte-mandrin.
- Pour remplacer le mandrin, effectuez ces étapes dans l'ordre inverse.

16) INSPECTIONS ROUTINIÈRES

Assurez-vous de toujours prendre soin de votre perceuse Walter Technologies pour surfaces inc. afin d'en tirer le meilleur.

Plusieurs composantes doivent être inspectées. C'est pour cette raison que vous devez vérifier que la perceuse est en bon état et que toutes les pièces sont bien ajustées avant de commencer tout travail. Toute pièce desserrée doit être resserrée.

Assurez-vous que la machine est débranchée de la source d'alimentation avant de procéder à son entretien.

Description	À chaque utilisation	Une fois par semaine	Une fois par mois
Examen visuel de la perceuse pour déceler tout dommage	X		
Vérification du fonctionnement de l'outil	X		
Vérification de l'usure des balais		X	
Inspection de la base magnétique	X		
Vérification de l'alignement de la machine			X
Vérification de la graisse			X
Inspection de l'armature			X

Examen visuel de la machine pour déceler tout dommage

Avant toute opération, la perceuse doit être inspectée afin de déceler tout dommage qui pourrait affecter son bon fonctionnement. Une attention particulière doit être portée au câble du réseau électrique. N'utilisez pas la perceuse si elle semble endommagée. Dans le cas contraire, des blessures ou la mort peuvent en découler.

Vérification du fonctionnement de l'outil

Vérifiez que la perceuse fonctionne bien afin de vous assurer que toutes les composantes sont en bon état.

Balais

Inspectez-les afin de vous assurer qu'ils ne sont pas anormalement usés (ils doivent être inspectés au moins une fois par semaine, si usage fréquent). Si les balais sont usés à plus du 2/3 de leur longueur initiale, ils doivent être changés. Dans le cas contraire, la perceuse peut subir des dommages.

Base magnétique

Inspectez-la avant chaque utilisation afin de vous assurer que celle-ci est plane et qu'elle n'est pas endommagée. Un aimant dont la surface est irrégulière risque de ne pas tenir efficacement et peut causer des blessures à l'utilisateur.

Ajustement de la glissière et alignement du support de palier

Assurez-vous que la glissière se déplace de façon fluide et contrôlée, sans bouger latéralement ni vibrer. Pour maintenir ces conditions, l'ajustement périodique de la glissière doit être exécuté comme suit :

1. Placez la machine à la verticale et, à l'aide du cabestan, levez la glissière au maximum. Nettoyez la glissière de laiton et appliquez une petite quantité d'huile légère sur les surfaces sollicitées.
2. Abaissez la glissière au maximum. Amenez la glissière au centre du logement en queue d'aronde et desserrez les vis afin que le support de l'arbre bouge librement.
3. En commençant par celles du milieu, vissez les vis délicatement jusqu'à sentir une légère résistance.
4. Déplacez la glissière de haut en bas à quelques reprises afin de vous assurer qu'elle glisse bien. Procédez aux ajustements additionnels nécessaires. Idéalement, assurez-vous que les vis appliquent une pression régulière sur toute la longueur de la glissière. Si celle-ci est parfaitement ajustée, elle glissera de bas en haut sans mouvement latéral.
5. Levez la glissière au maximum. Desserrez légèrement le support de l'arbre et serrez les vis uniquement à l'aide de vos doigts.
6. Placez la machine sur une plaque d'acier, branchez-la à une source d'alimentation et mettez l'aimant sous tension. Faites démarrer le moteur. Si l'arbre n'est pas correctement aligné, le support de l'arbre aura tendance à osciller. Procédez aux ajustements nécessaires afin de vous assurer que le support du filet de l'arbre est correctement aligné. Serrez les vis à l'aide d'une clé et, finalement, resserrez le support de l'arbre.

Vérification de la graisse

Vérifiez la graisse de la boîte de vitesses une fois par mois afin de vous assurer que toutes les composantes mobiles sont suffisamment enduites pour empêcher qu'elles s'usent. La graisse doit être changée au moins une fois par an afin de vous permettre de tirer le meilleur de votre perceuse.

Inspection de l'armature

Inspectez-la au moins une fois par mois afin de vous assurer qu'elle et le collecteur sont en bon état. Des signes d'usure normale seront visibles sur le collecteur après un certain temps (c'est la partie qui entre en contact avec les balais). Toutefois, la pièce doit être changée si elle présente des signes d'usure anormale.

17) DÉPANNAGE

L'aimant et le moteur ne fonctionnent pas.	<ul style="list-style-type: none"> – L'interrupteur de l'aimant n'est pas relié au bloc d'alimentation – Le câblage est endommagé ou défectueux – Le fusible est défectueux – L'interrupteur de l'aimant est défectueux – Le régulateur est défectueux – Le bloc d'alimentation est défectueux
L'aimant fonctionne, mais le moteur ne fonctionne pas.	<ul style="list-style-type: none"> – Le câblage est endommagé ou défectueux – Les balais de charbon sont coincés ou usés – L'interrupteur de l'aimant est défectueux – L'interrupteur principal est défectueux – Le régulateur est défectueux – L'armature ou la bobine de champ est défectueuse – Le commutateur à lames de protection est défectueux
Le moteur fonctionne, mais l'aimant ne fonctionne pas.	<ul style="list-style-type: none"> – L'aimant est défectueux – Le fusible est défectueux – Le régulateur est défectueux
La fraise se brise facilement. Les trous percés sont plus gros que la fraise.	<ul style="list-style-type: none"> – Il y a un jeu dans le guide – L'arbre est tordu – L'arbre du moteur est tordu – Le pilote est tordu
Le moteur tourne difficilement et se bloque.	<ul style="list-style-type: none"> – L'arbre est tordu – L'arbre du moteur est tordu – Le guide triangulaire n'est pas droit – Il y a de la saleté entre l'arbre et le guide triangulaire
Le moteur émet un cliquetis.	<ul style="list-style-type: none"> – La couronne (au bas de l'armature) est usée – Les vitesses sont usées – Il n'y a pas de graisse dans la boîte de vitesses
Le moteur bourdonne et n'a pas de puissance. Il y a des étincelles.	<ul style="list-style-type: none"> – L'armature est endommagée – La bobine de champ est brûlée – Les balais de charbon sont usés
Le moteur ne démarre pas ou étouffe.	<ul style="list-style-type: none"> – Le câblage est endommagé ou défectueux – L'armature ou la bobine de champ est défectueuse – Les balais sont endommagés ou défectueux
Le guidage se fait difficilement.	<ul style="list-style-type: none"> – Le guide est trop serré – Le guide est sec – Le guide, la crémaillère ou le mécanisme de rotation est sale ou endommagé
La force magnétique est insuffisante.	<ul style="list-style-type: none"> – Le câblage est endommagé ou défectueux – La base de l'aimant n'est pas propre et sèche – La base de l'aimant n'est pas plane – La pièce à travailler n'est pas vierge – La pièce à travailler n'est pas plane – La pièce à travailler est plus mince que 10 mm – Le régulateur est défectueux – L'aimant est défectueux
Le boîtier est sous tension.	<ul style="list-style-type: none"> – Le câblage est endommagé ou défectueux – L'aimant est défectueux – Le moteur est très encrassé
Le fusible saute quand l'aimant est sous tension.	<ul style="list-style-type: none"> – Le câblage est endommagé ou défectueux – La valeur du fusible est mauvaise – L'interrupteur de l'aimant est défectueux – Le régulateur est défectueux – L'aimant est défectueux
Le fusible saute quand le moteur démarre.	<ul style="list-style-type: none"> – Le câblage est endommagé ou défectueux – La valeur du fusible est mauvaise – Le moteur tourne irrégulièrement – L'armature ou la bobine de champ est défectueuse – Les balais de charbon sont usés – Le régulateur est défectueux

Le mécanisme de rotation tourne trop longtemps	<ul style="list-style-type: none"> – La crémaillère est desserrée ou défectueuse – Le mécanisme de rotation est défectueux
--	--

18) GARANTIE

Walter Technologies pour surfaces inc. garantit que ses produits sont exempts de tout défaut, dans le cadre d'une utilisation normale de la perceuse, pour une période de 12 mois à partir de la date d'achat. Toute autre pièce (excluant les fraises) est garantie pour une période de 90 jours si l'enregistrement en ligne est complété et retourné à Walter Technologies pour surfaces inc. ou à son distributeur désigné dans une période de 30 jours suivant la date d'achat. Dans le cas contraire, la garantie est nulle. Si ce qui précède est respecté, Walter Technologies pour surfaces inc. s'engage à réparer ou remplacer (à son gré) tout article défectueux retourné, et ce, sans frais.

Cette garantie ne couvre pas :

1. *L'usure ou le bris de pièces dû à une utilisation non conforme aux directives d'utilisation.*
2. *Les défauts causés par le non-respect des directives d'utilisation, un usage inadéquat, des conditions d'utilisation anormales, la surcharge ou un entretien insuffisant de l'outil.*
3. *Les défauts causés par des accessoires, des composantes ou des pièces de rechange autres que les pièces originales Walter Technologies pour surfaces inc.*
4. *Les pièces auxquelles des changements ou des ajouts ont été apportés.*
5. *Les composantes électriques sont soumises à la garantie du fabricant.*

Toute réclamation au titre de la garantie doit être soumise à l'intérieur de la période de garantie.

CETTE GARANTIE REMPLACE TOUTE AUTRE GARANTIE (EXPLICITE OU IMPLICITE) INCLUANT TOUTE GARANTIE DE QUALITÉ MARCHANDE ET D'ADAPTATION À UN USAGE PARTICULIER. WALTER TECHNOLOGIES POUR SURFACES INC. SE RÉSERVE LE DROIT D'AMÉLIORER ET DE MODIFIER LA CONCEPTION DU PRODUIT SANS PRÉAVIS.

« TOUJOURS MIEUX »

ÍNDICE

ES

	Pág.
1) Uso previsto	37
2) Reglas generales de seguridad	37
3) Información de símbolos de la placa	38
4) Especificación	39
5) Procedimientos operativos de seguridad	41
6) Instrucciones de uso	41
7) Operación del panel de control	42
8) Selección de marcha	43
9) Detección de imán	44
10) Tecnología ACCUDRILL	44
11) Selección de cable extensor	45
12) Montaje de brocas	45
13) Operación de cabrestante	46
14) Solución a problemas de perforado	47
15) Montaje de mandril	48
16) Mantenimiento	48
17) Solución de problemas	50
18) Garantía	51
19) Índice - Português	52
20) Lista de Refacciones	68

1) USO PREVISTO

Este taladro magnético fue construido para hacer perforaciones en metales ferrosos. El imán se usa para sostener el taladro en su lugar mientras que el taladro está funcionando. Ha sido diseñado para usar en fabricación, construcción, ferrocarriles, petroquímicas y cualquier otro uso donde se perforen metales ferrosos. La garantía no cubrirá ninguna desviación de su uso previsto.

2) REGLAS GENERALES DE SEGURIDAD

¡ADVERTENCIA! Al usar herramientas eléctricas siempre debe considerarse precauciones básicas de seguridad para reducir riesgos de incendio, descarga eléctrica y lesiones personales, incluyendo lo siguiente.

Lea todas estas instrucciones antes de intentar operar la máquina.

Desconecte antes de realizar cualquier ajuste, reparación o servicio de mantenimiento.

15. Mantenga el área limpia- Áreas y bancos desordenados invitan a accidentes.
16. Considere el área de trabajo;
 - No exponga las herramientas a la lluvia.
 - No utilice las herramientas en sitios húmedos o mojados
 - Mantenga el área bien iluminada (Se recomiendan 500 Lux).
 - No use las herramientas en presencia de gases o líquidos inflamables.
 - Asegúrese de tener suficiente espacio para alcanzar el enchufe, motor e interruptores de encendido y apagado on/off
17. Alerta contra descarga eléctrica:

Evite el contacto del cuerpo con superficies conectadas a tierra (Ej. Tuberías, radiadores, cocinas y refrigeradores). Se puede mejorar mucha la seguridad usando un Dispositivo de Corriente Residual (RCD) de alta sensibilidad (30 mA/0.1s).
18. ¡Mantenga a las personas alejadas! NO permita que personas no capacitadas, especialmente niños, toquen la herramienta o el cable extensor y manténgalos lejos del área de trabajo.
19. Guarde las herramientas en desuso. Todas las herramientas deben almacenarse en lugares secos y cerrados con llave, fuera del alcance de los niños.
20. No fuerce la máquina. Hará su trabajo mejor y de forma más segura al ritmo para el que fue preparada.
21. Use la herramienta correcta:
 - No fuerce herramientas pequeñas a hacer el trabajo pesado.
 - No use esta herramienta para una tarea que no fue concebida: Ej. No use el taladro magnético para cortar troncos de árbol.
22. Vístase apropiadamente:
 - No use prendas sueltas o joyas; pueden quedar atrapadas con las partes móviles
 - Se recomienda calzado antideslizante para trabajar al exterior
 - Use una protección para el cabello largo. Así, reducirá el riesgo de enredo.
23. Use equipo protector al usar esta máquina;
 - Use anteojos de seguridad para prevenir que desechos lastimen los ojos.
 - Use protectores auditivos para proteger la audición.
 - Use máscara para el rostro y contra el polvo en las operaciones que pueden generarlo.
 - Use guantes protectores para evitar que virutas o desechos lastimen la piel.
24. Al usar el taladro, asegúrese siempre de operarlo a una distancia de la viruta para que no entre en contacto con el área de corte o cerca de la broca, mientras esté funcionando la máquina.
25. Conecte el extractor y recolector de polvo del equipo, si trae estos dispositivos, y asegúrese que estén bien conectados y que sean bien utilizados.
26. No abuse del cordón; nunca tire para desconectar del enchufe. Mantenga el cable lejos del calor, aceite o bordes filosos.
12. Asegure la pieza de trabajo si es posible, use abrazaderas o pinzas para sostenerlo. Es más seguro que usar su mano.
27. ¡No se extralimite! Manténgase firmemente parado, no pierda nunca el equilibrio.
28. Mantenga las herramientas con cuidado:
 - Mantenga afiladas y limpias las herramientas de corte para un funcionamiento mejor y más seguro.

- Controle regularmente la máquina que no esté gastada o dañada.
 - Asegúrese que la máquina esté limpia y sin desechos de un uso anterior.
 - Desconecte de la red eléctrica antes del mantenimiento.
 - Siga las instrucciones de lubricado y cambio de accesorios.
 - Controle diariamente que los cables no estén dañados, y si lo están, hágalos reparar en un centro autorizado Walter.
 - Controle los cables extensores diariamente y reemplácelos si están dañados. □ Mantenga las manijas secas, limpias y sin aceite ni grasa.
15. Desconecte las herramientas cuando estén en desuso antes de realizar el mantenimiento y al cambiar los accesorios tales como brocas, desconéctelas de la red eléctrica.
 16. Tenga el hábito de controlar que las llaves ajuste se han quitado de la máquina antes de encenderla.
 17. Evite el arranque accidental. Asegúrese que el imán esté apagado (OFF) antes de conectar la máquina.
 18. Use sólo cables extensores para el exterior cuando use la máquina en el exterior.
 19. **¡ADVERTENCIA!** La emisión de vibraciones durante el uso real, puede variar del declarado valor total dependiendo la forma en que se usa y en qué máquina se usa.
 20. ¡Esté alerta! Fíjese lo que está haciendo, use el sentido común y no opere la herramienta cuando esté cansado. NO opere la máquina si se encuentra bajo la influencia de alcohol o CUALQUIER sustancia ilegal.
 21. Controle si hay daños o faltan piezas antes de usar la máquina; controle con cuidado para determinar si operará en forma adecuada para su función.
 22. ¡Advertencia! El uso de un accesorio o agregado que no sea recomendado en este manual de instrucción, puede representar un riesgo y causar lesiones personales.
 23. Haga reparar su máquina por un técnico calificado de Walter.
Esta herramienta eléctrica cumple con las reglas de seguridad relevantes. Las reparaciones deben llevarse a cabo sólo por personas capacitadas y con repuestos originales, en caso contrario puede representar un riesgo para el usuario.
 24. No opere nunca la máquina si le faltan piezas o si están dañadas.
 25. No dirija nunca chorros de agua o de líquidos inflamables sobre el taladro.
 26. El operario debe tener la capacidad de manejar el peso de la máquina.
 27. El operario debe estar capacitado para usar la máquina.

3) INFORMACIÓN DE SÍMBOLOS DE LA PLACA



1



2



3



4

1. Consulte el manual del usuario por temas de funcionamiento y seguridad en relación con máquina.
2. Deseche correctamente la máquina y sus componentes eléctricos.
3. Utilice siempre protección para la vista al trabajar con la máquina.
4. Utilice siempre protección auditiva al trabajar con la máquina.

4) ESPECIFICACIÓN

ICECUT 100

Capacidad máxima de perforación: 30mm de diám. X 35mm de profundidad Diámetro del eje = 19.05MM(3/4") diám.

ICECUT 100	
Voltajes	120V 50-60Hz
Carga plena normal	7 A 850W
Electro Imán	0.6A 69W
Tamaño	180mm largo 90mm ancho
Fuerza de retención a 20°C con 25mm De espesor mínimo de placa El uso de cualquier material de menos de 25mm de espesor reducirá progresivamente la performance del imán. Si es posible, se debe colocar un material sustituto debajo del imán y de la pieza de trabajo para equilibrar el espesor del material. Si esto no fuera posible, se DEBE usar un método alternativo seguro para restringir la máquina.	10,000N
Total carga (imán + motor)	919W
Dimensiones totales	
Altura – máxima extendida	414mm
Altura - mínima	349mm
Ancho (incluyendo montaje de cabrestante)	165mm
Longitud total (incluyendo protección)	270mm
Peso neto	11.68Kgs
TIPO DE MODELO	39-D 100
Valor total de vibración (suma vector triax) en conformidad con EN61029-1:	Valor de Emisión de vibración (a_n): 2.273m/s ² Margen de error(K): 1.5m/s ²
Nivel de presión de sonido en conformidad con EN61029-1:	<i>Presión del sonido(LpA): 87.9 dB(A)</i> <i>Poder acústico(LwA): 100.9 dB(A)</i> Margen de error(K): 3dB(A)

Se deben utilizar protecciones para ojos y oídos siempre que se esté utilizando esta máquina. Utilice guantes para proteger sus manos mientras opera esta máquina.

Declaramos bajo nuestra responsabilidad :

Estas UNIDADES DE TALADROS MAGNÉTICOS cumplen con todos los requerimientos relevantes de los estándares y directivas de CSA.

NO USE EN SUMISTROS DE ENERGÍA DC

**No use su taladro magnético en la misma estructura mientras se realiza la soldadura de arco
La corriente DC volverá a tierra a través del imán y causará daños irreparables.**

¡ADVERTENCIA: ¡ESTE APARATO DEBE SER CONECTADO A TIERRA!

NOTA: CUALQUIER MODIFICACIÓN A ESTA MÁQUINA INVALIDARÁ LA GARANTÍA

ICECUT 200

Capacidad máxima de perforado de acero = 40mm diám. x 50mm profundidad

Diámetro del Eje = 19.05mm (3/4") diám.

ICECUT 200		
Voltajes	120V 50-60Hz	
Carga plena normal	10 A	1200W
Electro Imán	0.6A	69W
Tamaño	180mm largo 90mm ancho	
Fuerza de retención a 20°C con 25mm De espesor mínimo de placa El uso de cualquier material de menos de 25mm de espesor reducirá progresivamente la performance del imán. Si es posible, se debe colocar un material sustituto debajo del imán y de la pieza de trabajo para equilibrar el espesor del material. Si esto no fuera posible, se DEBE usar un método alternativo seguro para restringir la máquina.	10,000N	
Carga Total (imán + motor)	1269W	
Dimensiones totales		
Altura – máxima extendida	514mm	
Altura - mínima	434mm	
Ancho (incluyendo montaje de cabrestante)	185mm	
Longitud total (incluyendo protección)	285mm	
Peso neto	13.3kgs	
MODELO TIPO	39-D 200	
Valores de vibración total (suma vector triax) en conformidad con EN61029-1:	Valor de emisión de vibración (a_n): 2.746m/s ² Margen de error(K): 1.5m/s ²	
Nivel de presión de sonido en conformidad con EN61029-1:	<i>Presión de sonido(LpA): 90.6 dB(A)</i> <i>Potencia acústica(LwA): 103.6 dB(A)</i> Margen de error(K): 3dB(A)	

Se debe utilizar protección para ojos y oídos siempre que se esté utilizando esta máquina. Utilice guantes para proteger sus manos mientras opera esta máquina.

Declaramos bajo nuestra responsabilidad:

Estas UNIDADES DE TALADROS MAGNÉTICOS cumplimentan con todos los requerimientos relevantes de las directivas y estándares de CSA.

NO USE EN SUMINISTRO D.C.

No use su taladro magnético en la misma estructura mientras se realiza la soldadura de arco.

La corriente DC volverá a tierra a través del imán y causará daños irreparables.

ADVERTENCIA: ¡ESTE APARATO DEBE SER CONECTADO A TIERRA!

NOTA: CUALQUIER MODIFICACIÓN A ESTA MÁQUINA INVALIDARÁ LA GARANTÍA

5) PROCEDIMIENTOS OPERATIVOS DE SEGURIDAD

LEER ANTES DE USAR LA MÁQUINA

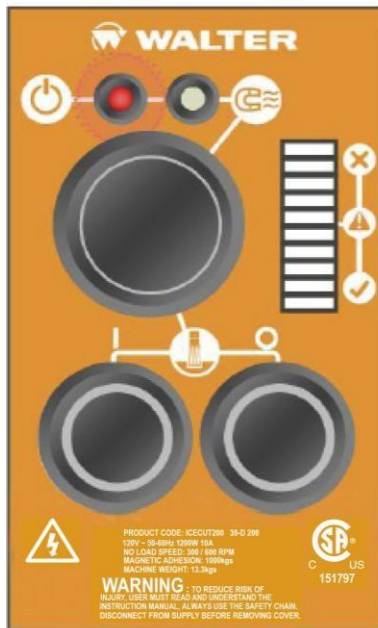
- Al usar herramientas eléctricas siempre se debentomar precauciones básicas de seguridad para reducir los riesgos de descargas eléctricas, incendio y lesiones personales.
- Asegúrese que el imán esté apagado (OFF) antes de conectar la máquina.
- NO use en condiciones mojadas o de humedad. En caso contrario, podría resultar en lesiones personales
- NO use en presencia de líquidos o gases inflamables, o en ambientes de alto riesgo. En caso de hacerlo, podría resultar en lesiones personales.
- ANTES de activar la máquina, controle todos los cables de suministros eléctricos (incluyendo cable extensores) y reemplácelos si están dañados. NO use si hay signos de daños.
- Sólo utilice cables extensores aprobados por las condiciones del sitio.
- ANTES de activar la máquina, controle SIEMPRE la función de los sistemas operativos, interruptores, imán, etc.
- ANTES de operar, la máquina DEBE estar refrenada a una plataforma fija (mediante el uso de la correa de seguridad RD4329, o por otros medios) para reducir que potencialmente se mueva libremente, que se suelte el imán de la pieza de trabajo. De ocurrir esto, podría resultar en lesiones personales.
- Utilice SIEMPRE anteojos protectores, protección para los oídos y equipo de protección personal (PPE) recomendados en TODO momento mientras opere la máquina.
- Desconecte de la fuente de energía cuando cambie las brocas o si está trabajando en la máquina.
- Las brocas y las virutas tiene mucho filo, asegúrese SIEMPRE de proteger bien sus manos cuando cambia las brocas o si quita la viruta. Use una herramienta o un cepillo si necesita quitar viruta o la broca del mandril.
- Antes de operar la máquina, asegúrese SIEMPRE que los tornillos que sostienen la broca estén bien ajustados.
- Limpie regularmente el área de trabajo, quite la viruta y tierra de la máquina, prestando particular atención a la parte de abajo del imán.
- Quítese SIEMPRE corbata, aros, relojes y cualquier otro adorno que pueda enredarse con la maquinaria rotativa, antes de operar la máquina.
- Asegúrese SIEMPRE de tener recogido y contenido el cabello con algún elemento aprobado antes de operar la máquina.
- Si se atasca la broca en la pieza de trabajo, pare el motor de inmediato para prevenir lesiones personales. Desconecte de la fuente de energía y gire el mandril hacia delante y hacia atrás. NO INTENTE SACAR LA BROCA ENCENDIENDO Y APAGANDO EL MOTOR. Use guantes de seguridad para quitar la broca del mandril.
- Si la máquina se cae por accidente, examínela completamente SIEMPRE para ver si hay signos de daños y controle si funciona correctamente ANTES de volver a perforar.
- Inspeccione REGULARMENTE la máquina y controle por cualquier daño o piezas sueltas.
- Cuando use la máquina en una posición invertida, asegúrese SIEMPRE que se use sólo una mínima cantidad de líquido refrigerante y tenga la precaución de que este líquido refrigerante no entre en la unidad del motor.
- Las herramientas de corte pueden romperse, coloque SIEMPRE la protección sobre la broca antes de activar la máquina. De no hacerlo, podría resultar en lesiones personales.
- Al finalizar el corte, se expulsará el desecho. Sino, NO opere la máquina ya que el desecho puede causar lesiones.
- Mientras no la use, guarde SIEMPRE la máquina en un lugar seguro y protegido.
- Asegúrese SIEMPRE que agentes aprobados por WALTER realicen las reparaciones.

6) INSTRUCCIONES DE USO

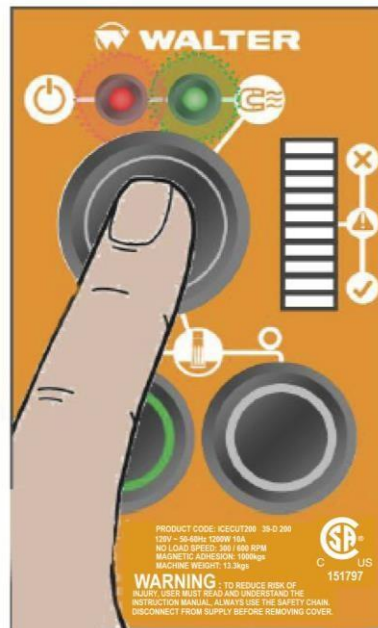
- Mantenga el interior de la broca sin viruta, restringe la operación de funcionamiento de profundidad de la misma.
- Asegúrese que la botella de líquido refrigerante contenga suficiente aceite de corte para completar la duración requerida de la operación. Rellene cuando sea necesario.
- Ocasionalmente, presione el botón de piloto para asegurarse que el fluido de corte esté siendo medido correctamente.
- Para iniciar la máquina siga las instrucciones del panel de control.
- SIEMPRE apague el motor (off) presionando el botón ROJO de parado. NO apague el motor presionando el interruptor del imán.
- Aplique una ligera presión al comenzar a perforar hasta que la broca se haya introducido en la superficie de la pieza de trabajo. Entonces, se puede aumentar la presión lo suficiente para cargar el motor, no aumenta la velocidad de penetración y hará que el dispositivo de protección de sobrecarga pare el motor (se puede reiniciar el motor presionando el botón de inicio del mismo), y puede causar calor excesivo el cual puede resultar en la expulsión inconsistente de desecho de corte.

- Asegúrese siempre que el desecho de corte haya sido despedido de la perforación anterior al comenzar el próximo corte.
- Si el desecho de corte no sale de la broca, ponga la máquina en una superficie plana, encienda el imán y suavemente baje la broca para que haga contacto con la superficie. Usualmente, esto endereza el desecho y permite que se expulse normalmente.
- Aplique un poco de aceite lubricante liviano con regularidad para el mejor deslizamiento del eje y cojinete.
- La rotura de la broca generalmente es causada por un anclaje inseguro, poco ajuste o un cojinete desgastado en el soporte del eje. (consulte las instrucciones de mantenimiento de rutina).
- Use únicamente líquido de corte aprobado. El fluido de corte Walter ha sido especialmente formulado para maximizar el rendimiento de las brocas. Está disponible en 5 litros (53-C 056) y 20 litros (53-C 057).

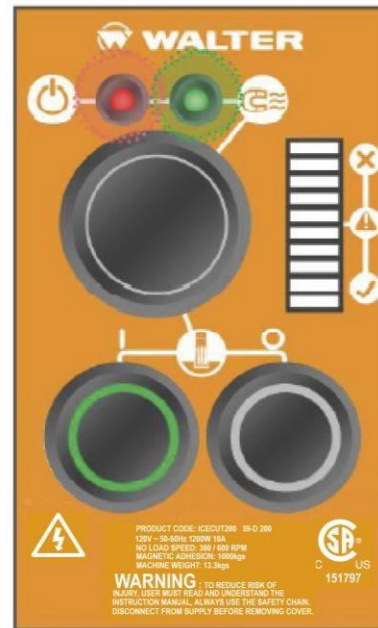
7) OPERACIÓN DEL PANEL DE CONTROL



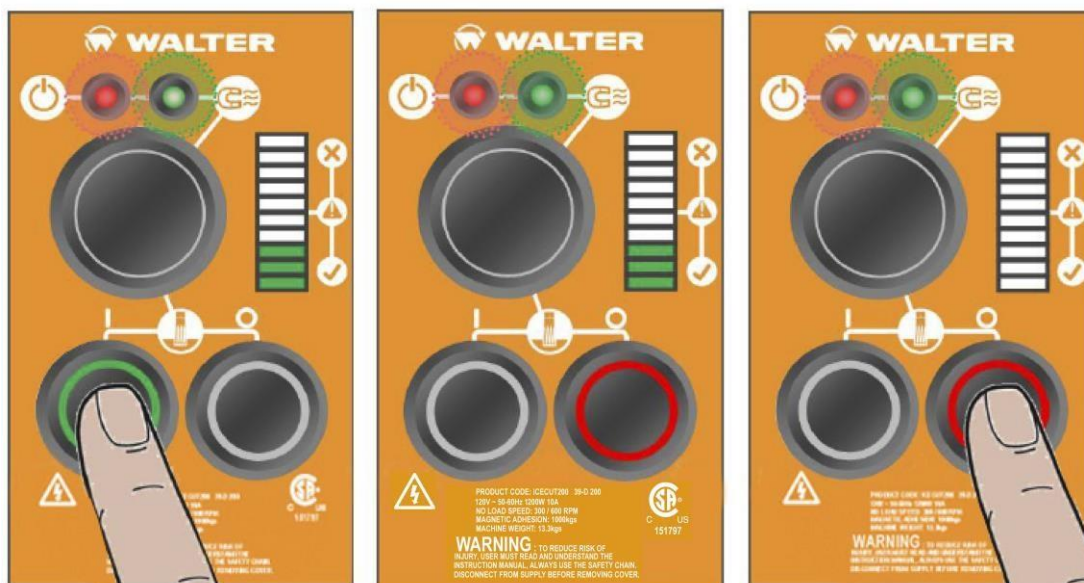
1) Energía Cuando el taladro esté conectado a la red, la luz LED ROJA indicará energía para el taladro



2) Imán encendido (ON)
 Para encender o apagar el imán (ON/OFF), pulse el botón grande del panel de control. Un LED VERDE indica que el imán está encendido.



3) Interruptor del motor
 Cuando el imán tiene energía, el interruptor VERDE indica el inicio del motor.



4) Motor encendido (ON)

Pulse el interruptor VERDE para encenderlo. Proceder con el corte siguiendo las pautas de seguridad

5) Corte anular

Vea a continuación una descripción detallada del indicador de control visual

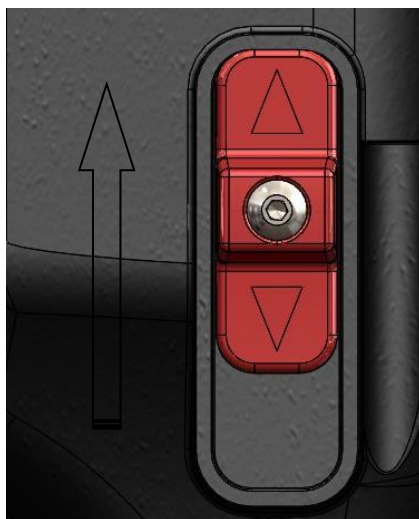
6) Motor apagado (OFF)

Para apagar el motor presione el interruptor ROJO. El motor de detendrá y el imán permanecerá encendido. El interruptor VERDE se encenderá.

8) SELECCIÓN DE MARCHA (¡Sólo ICECUT200!)

El taladro magnético ICECUT200 está equipado con una caja de dos velocidades. El equipo se usa para reducir la velocidad de arranque al usar las brocas grandes.

Cuando son brocas de hasta 30mm diámetro, se debería usar en la posición de engranaje 1. Brocas de 30 – 40mm de diámetro, deberían usarse en posición de engranaje 2.



Posición de engranaje 1: Alta velocidad, brocas de hasta 30mm de diám.



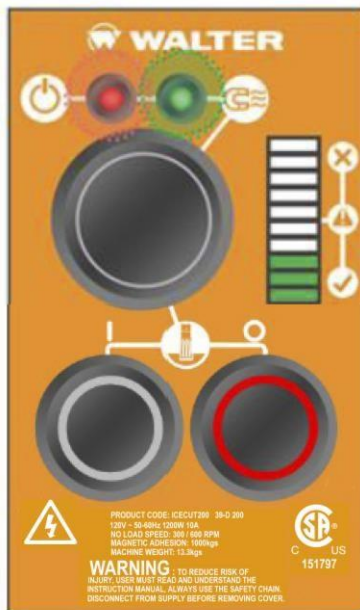
Posición de engranaje 2: Baja velocidad, brocas de 30 a 40mm de diám.

9) DETECCIÓN DEL IMÁN

Se recomienda que al trabajar con materiales finos, se utilice una pieza de relleno para aumentar el espesor del material debajo del imán. Trabajando en material delgado sin la pieza de relleno, reducirá la fuerza de sostén del imán. Se aconseja utilizar el taladro para trabajos en material ferroso de 8mm de espesor. Si se daña la base del imán, como por picaduras por ejemplo, esto afectará a la fuerza de sostén del imán.

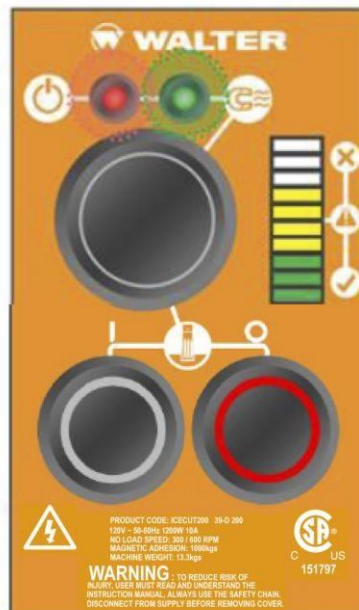
10) Tecnología ACCUDRILL

Diseñada para que usted pueda obtener el máximo provecho de su máquina y las brocas. ACCUDRILL tiene un panel fácil de leer que indica cuando está perforando con demasiada fuerza, lo que podría dañar a la máquina y a las brocas. Permita que la máquina haga el trabajo y usted encontrará que se logra un agujero mucho más suave y de forma más rápida.



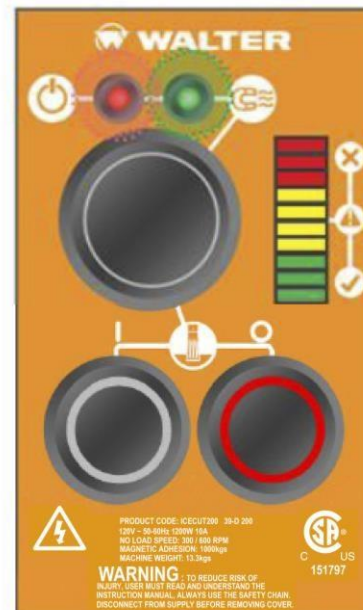
Zona verde

Perfecto, intente mantenerse en la zona verde para un corte óptimo y mejor funcionamiento de la máquina.



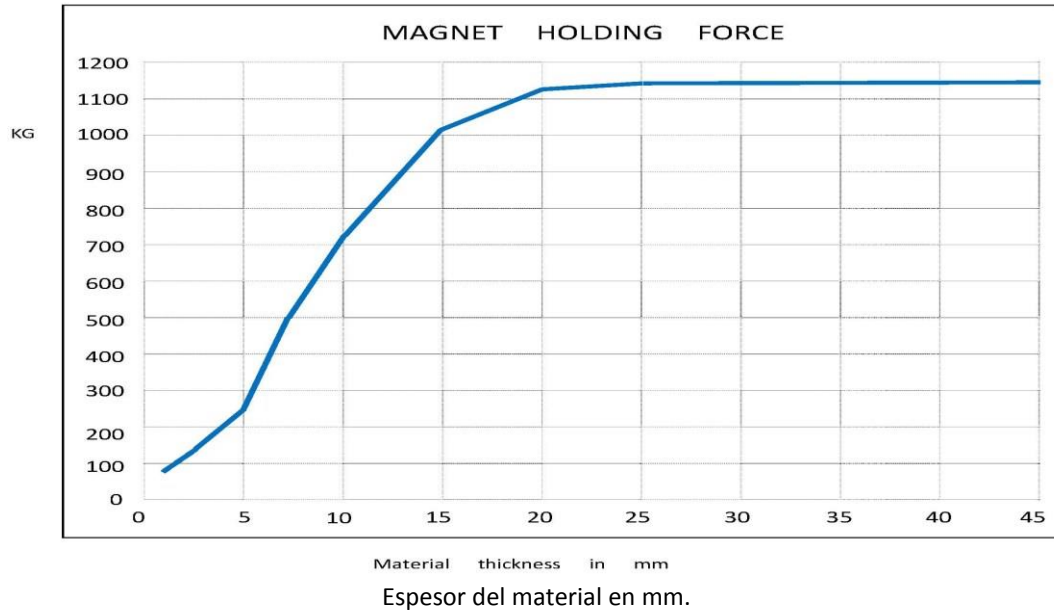
Zona amarilla

Demasiada presión en el taladro, afloje y vuelva a la zona verde.



Zona roja

Sobrecarga; Suelte inmediatamente. Si usted continúa, tanta presión hará que el motor se desconecte.



11) SELECCIÓN DE CABLE EXTENSOR

Las máquinas están equipadas de fábrica con un cable de 3 metros de longitud con tres conductores de 1.5mm² VIVO, NEUTRO Y TIERRA. Si es necesario agregar una extensión de la fuente de energía debe tenerse de utilizar uno con la capacidad adecuada. De no hacerlo así, puede resultar en la pérdida de tracción por el imán y en una reducción de la potencia del motor.

Asumiendo un suministro AC de voltaje correcto, se recomienda que no se excedan las longitudes de los extensores:

Para fuente de 120V: 3.5metros de 3 cond. x 1.5mm²

DESCONECTE SIEMPRE LA MÁQUINA DE LA FUENTE DE ENERGÍA ANTES DE CAMBIAR LAS BROCAS.

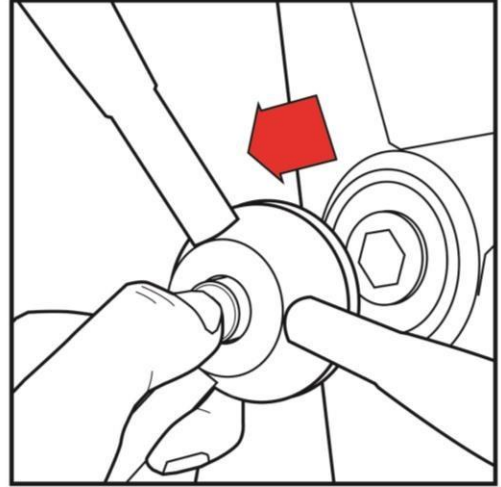
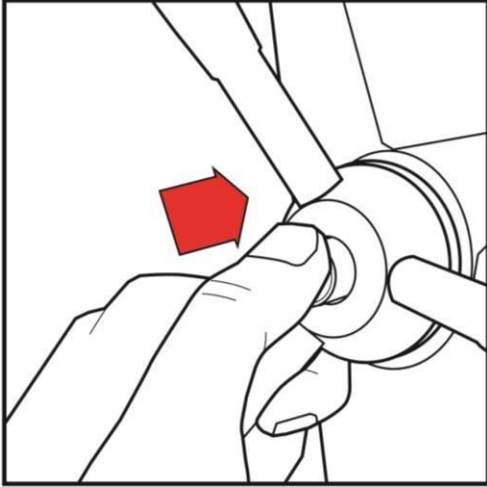
12) MONTAJE DE BROCAS

La máquina está hecha para aceptar vástagos Weldon de 19.05mm (3/4") diám. Se debe realizar el siguiente procedimiento al montar las brocas:

Coloque la máquina de lado con las manijas de alimentación hacia arriba, asegurándose que el eje se desenrosque hasta lo más bajo para permitir el acceso del tornillo prisionero.

Tome la punta apropiada y colóquela a través del orificio del vástago de la broca. Inserte el vástago en el orificio del eje, asegurando la alineación de las secciones planas con los tornillos Allen. Ajuste ambos tornillos usando una llave hexagonal.

13) OPERACIÓN DE CABRESTANTE



La rápida liberación del cabrestante es una característica que ofrece al usuario la opción simple dual.

Para quitar el cabrestante, simplemente haga lo siguiente;

1. Pulse el botón central en el centro del cabrestante, sosteniendo los brazos del cabrestante.
2. Con el botón presionado, tire de la manivela del cabrestante lejos del cuerpo principal, aferrado a los brazos del cabrestante.
3. Vuelva a insertar el eje hexagonal en la ranura para sujetar la manivela del cabrestante.

14) SOLUCIÓN A PROBLEMAS DE PERFORADO

<i>Problema</i>	<i>Causa</i>	<i>Solución</i>
1) La base magnética no se sostiene efectivamente	<p>El material a cortar es demasiado fino para ser sostenido efectivamente.</p> <p>Tierra o viruta debajo del imán</p> <p>Irregularidad en contacto del imán o pieza de trabajo.</p> <p>Corriente insuficiente llegando al imán durante los ciclos del taladrado.</p>	<p>Agregar una pieza de metal adicional debajo del imán, o sostener con una abrazadera la base magnética a la pieza de trabajo Limpiar el imán</p> <p>Tenga mucho cuidado; lime cualquier imperfección que sale a la superficie.</p> <p>Confirmar la fuente de alimentación y salida de la unidad de control, revise el cable de alimentación</p>
2) La broca salta de la marca del punzón en el inicio del corte	<p>La base magnética no está sostenida efectivamente.</p> <p>El buje del eje y/o collar eyector desgastados. Demasiada presión de alimentación al inicio del corte.</p> <p>La broca está opaca, desgastada, rota o está incorrectamente afilada.</p> <p>Marca pobre del punzón: resorte débil del piloto o piloto no centrado en marca de punzón.</p> <p>Piloto gastado o doblado, agujero del piloto gastado.</p> <p>Pernos flojos en el buje del motor que sostiene el soporte, bastidor principal o tornillos Gib flojos.</p>	<p>Ver causas y soluciones arriba Se necesita un nuevo buje de eje.</p> <p>Sólo se necesita una ligera presión hasta que se corta una ranura. La ranura sirve como un estabilizador. Reemplace o afile. Servicio de afilado está disponible. Mejore el punzón y/o reemplace las piezas gastadas Reemplace la pieza o las piezas</p>
3) Se requiere excesiva presión de perforación	<p>Brocas mal afiladas, gastadas o astilladas.</p> <p>Virutas caen en la superficie de trabajo.</p> <p>Tornillos Gib mal ajustados o sin lubricación.</p> <p>Viruta acumulada (compacto) dentro de la roca.</p>	<p>Volver a afilar o reemplazar.</p> <p>Cuidado, no comenzar el corte sobre virutas.</p> <p>Ajustar los tornillos.</p> <p>Limpiar la broca</p>
4) Las brocas se rompen excesivamente	<p>Viruta de acero o suciedad debajo de la broca.</p> <p>Brocas mal afiladas o desgastadas.</p> <p>Salta la broca.</p> <p>Vara necesita ajuste.</p> <p>La broca no está bien agarrada al eje.</p> <p>Aceite de corte incorrecto o insuficiente.</p> <p>Velocidad incorrecta.</p>	<p>Quitar la broca, limpiar bien la pieza y reemplazar.</p> <p>Tenga siempre una broca nueva a mano. Consultar pág. instructiva para correcta geometría de dientes. Ver causas y soluciones (2).</p> <p>Ajustar los tornillos sin cabeza que soportan la vara. Reajustar.</p> <p>Inyectar aceite de viscosidad ligera en el anillo inductor del refrigerante y controlar que sea medido en la broca cuando el piloto esté deprimido. Sino, controle internamente el eje y ranura del piloto o aplique aceite externamente (Aún una pequeña cantidad de aceite es muy efectivo).</p> <p>Asegúrese que usa la velocidad correcta para la broca.</p>
5) Excesivo desgaste de la broca	<p>Ver causas y soluciones de arriba Broca mal afilada.</p> <p>Presión espasmódica o insuficiente.</p>	<p>Consultar las instrucciones y una broca nueva para la geometría correcta de los dientes.</p> <p>Use suficiente presión constante para desacelerar el taladro. Esto resultará en la velocidad óptima de corte y carga de viruta.</p>

15) MONTAJE DE MANDRIL

Para quitar el eje, acueste la máquina de lado.

- Desenrosque los dos tornillos en la parte superior del eje.
- Cuando se suelte el eje del husillo, entonces se puede retirar.
- Quite el soporte del eje y la protección reteniendo el eje.
- Monte el mandril usando el adaptador del mismo.
- Para reemplazar el mandril, realizar la maniobra en forma inversa.

16) MANTENIMIENTO

Para obtener la “mejor vida útil” de su máquina Walter, manténgala siempre en buen funcionamiento.

Siempre debe controlar un número de elementos en las máquinas Walter.

Antes de comenzar cualquier trabajo, asegúrese siempre que la máquina se encuentre en buen funcionamiento y que no haya piezas faltantes o dañadas. Ajuste cualquier pieza suelta.

Antes de proceder a realizar el mantenimiento, asegúrese que esté desconectada de la red eléctrica.

Descripción	Cada operación	1 semana	1 Mes
Control visual por daños en la máquina	X		
Control operativo de la máquina	X		
Control de desgaste de escobilla		X	
Control de base magnética	X		
Control alineamiento de la máquina			X
Control de grasa			X
Control de carcasa			X

Control visual de daños en la máquina.

Se debe realizar el control de la máquina para verificar que no tenga ningún daño antes de ser operada. Cualquier signo de daño puede perjudicar su operatividad. Particularmente, controlar el cable de alimentación y si la máquina parece estar dañada, no debe utilizarse. En caso de hacerlo, podría causar lesiones personales o hasta la muerte.

Control operativo de la máquina.

El control operativo de la máquina debe realizarse para verificar que todos sus elementos funcionen bien.

Escobillas de la máquina

Deben controlarse para asegurarse que no presenten desgaste anormal (si se usa con frecuencia, debe chequearse al menos una vez por semana) Si la escobilla está gastada más de 2/3 de su largo normal, debe cambiarse. De no hacerlo, puede dañarse la máquina.

Base magnética

Antes de cada operación, controle que la base magnética esté plana y que no presente daños. Una base desigual puede hacer que el imán no sostenga de forma eficiente y puede causar lesiones al operario.

Ajuste y alineamiento de vara y soporte de cojinetes.

Un requerimiento esencial de la máquina es que la vara pueda moverse suave y controladamente, sin movimientos laterales ni vibraciones.

Esta situación pueda conseguirse con ajustes periódicos de la vara y se logra de la siguiente manera:

1. Coloque la máquina en posición vertical y, por medio de la manivela del cabrestante, eleve la vara lo más alto posible. Limpie las tiras de latón Gib y aplique una cantidad pequeña de aceite en las superficies de desgaste.
2. Ahora, baje la vara en su posición más baja. Llévela al centro del encastre de la carcasa de la vara y afloje los tornillos permitiendo el libre movimiento del soporte del eje.
3. Comenzando con los tornillos medios, introduzca todos los tornillos hasta que encuentre una leve resistencia
4. Haga funcionar la vara hacia arriba y hacia abajo unas cuantas veces para probar el movimiento y hacer los ajustes necesarios. Trate de asegurarse que todos los tornillos estén ejerciendo una presión uniforme en la vara de arriba a abajo. Una vara perfectamente ajustada operará libremente hacia arriba y hacia abajo sin ningún movimiento hacia los lados.
5. Ahora, levante la vara en su posición más alta. Desajuste ligeramente el soporte del cojinete del eje y, usando los dedos, ajuste los tornillos.
6. Coloque la máquina sobre una placa de acero, conecte a la red de energía y encienda el imán. Encienda el motor. Si el eje está mal alineado, se verá oscilar el soporte del eje. Hacer los ajustes necesarios en el soporte para garantizar la correcta alineación y finalmente ajustar los tornillos con una llave. Por último, ajuste el soporte del cojinete del eje.

Controlar la grasa de la máquina.

Controlar la caja de marchas una vez al mes para asegurarse que todos sus componentes móviles estén cubiertos y funcionen bien para prevenir el desgaste. Se debe cambiar la grasa al menos una vez al año para asegurarse que obtendrá lo mejor de su máquina.

Controlar la carcasa de la máquina

Esto debe controlarse al menos una vez al mes. Ver que no haya daños a simple vista en la carcasa o en el conmutador. Luego de un tiempo se verán algunos signos en el conmutador, pero esto es normal (es una pieza que entra en contacto con las escobillas) sin embargo, si hay signos de daños anormales, la pieza debe ser reemplazada.

17) SOLUCIÓN DE PROBLEMAS

El imán y el motor no funcionan	<ul style="list-style-type: none"> - El interruptor del imán no está conectado a la red eléctrica - Cableado defectuoso o dañado - Fusible defectuoso - Interruptor del imán defectuoso - Unidad de control defectuosa - Suministro de energía defectuoso
Funciona el imán, pero no el motor	<ul style="list-style-type: none"> - Cableado defectuoso o dañado - Escobillas de carbón atascadas o desgastadas - Interruptor del motor defectuoso - Interruptor encendido/apagado (on/off) defectuoso - Unidad de control defectuosa - Carcasa o campo defectuoso - Interruptor de lámina protectora defectuoso
El imán no funciona, el motor sí.	<ul style="list-style-type: none"> - Imán defectuoso - Fusible defectuoso - Unidad de control defectuosa
Las brocas se rompen rápido, los agujeros son más grandes que el tamaño de la broca.	<ul style="list-style-type: none"> - Hacen juego en la guía - Eje doblado - Eje extendido del motor está doblado - Piloto doblado
Motor funciona bruscamente y / o se trava	<ul style="list-style-type: none"> - Eje doblado - Eje extendido del motor está doblado - Guía triangular no fue montada en forma recta - Suciedad entre el eje y la guía triangular
Motor haciendo ruido de traqueteo	<ul style="list-style-type: none"> - Anillo de engranaje gastado (parte inferior de carcasa) - Engranaje/s gastado/s - Falta grasa en la caja de cambio
Zumbido en motor, chispas y el motor no tiene fuerza	<ul style="list-style-type: none"> - Carcasa dañada - Campo quemado - Escobillas de carbón desgastadas
Motor no arranca o falla	<ul style="list-style-type: none"> - Cableado defectuoso o dañado - Daño en carcasa o en campo de bobina - Escobillas dañadas o defectuosas
Demasiado esfuerzo de la guía	<ul style="list-style-type: none"> - La guía está demasiado ajustada - La guía está seca - Guía/cremallera de engranaje/sistema de rotación sucios o dañados
Fuerza magnética insuficiente	<ul style="list-style-type: none"> - Cableado defectuoso o dañado - Parte inferior del imán sucio o dañado - Parte inferior del imán no es plana - La pieza no es sólo de metal - La pieza de metal no es plana - La pieza de trabajo es demasiado delgada, menos de 10mm - Unidad de control defectuosa - Imán defectuoso
Debajo del marco de voltaje	<ul style="list-style-type: none"> - Cableado defectuoso o dañado - Imán defectuoso - Motor muy sucio
Se funde el fusible cuando se enciende el imán	<ul style="list-style-type: none"> - Cableado defectuoso o dañado - Fusible de valor incorrecto - Interruptor de imán defectuoso - Unidad de control defectuosa - Imán defectuoso
Sefunde el fusible cuando se enciende el motor	<ul style="list-style-type: none"> - Cableado defectuoso o dañado - Fusible de valor incorrecto - Motor funciona con dificultad - Carcasa o campo defectuosos - Escobillas de carbón gastadas - Unidad de control defectuosa

Carrera libre demasiado larga del sistema de rotación	-Cremallera de engranaje suelta o defectuosa -Sistema de rotación defectuoso
---	---

18) GARANTIA

Walter Tecnología de Superficies Inc. garantiza que sus máquinas no tienen materiales defectuosos, bajo uso normal de la máquina, por un período de 12 meses desde la fecha de compra. Todas las otras piezas (excepto por las brocas) están bajo garantía de 90 días. **Esta garantía no cubre:**

1. *Compuestos que están sujetos a desgaste natural causado por el uso no conforme a las instrucciones dadas a los operarios*
2. *Defectos en la herramienta causados por el incumplimiento de las instrucciones de operaciones, uso incorrecto, condiciones ambientales anormales, condiciones operativas inadecuadas por sobrecarga o insuficiencia en el servicio de mantenimiento.*
3. *Defectos causados por utilizar accesorios, componentes, piezas de repuestos que no sean piezas originales de Walter™.*
4. *Herramientas a las que se les haya agregado algo o se haya modificado.*
5. *Los componentes eléctricos están sujetos a la garantía del fabricante.*

El reclamo de la garantía debe ser registrado dentro del período de garantía.

ESTA GARANTÍA REEMPLAZA CUALQUIER OTRA GARANTÍA (EXPRESA O IMPLÍCITA) INCLUYENDO CUALQUIER GARANTÍA DE COMERCIALIDAD O IDONEIDAD PARA UN PROPÓSITO EN PARTICULAR. WALTER™ SE RESERVA EL DERECHO DE REALIZAR MEJORAS Y MODIFICACIONES EN EL DISEÑO SIN PREVIO AVISO.

“SÓLO LO MEJOR”

INDICE	PT
	Page
1) Finalidade	53
2) Regras gerais de segurança	53
3) Pictogramas de Informação	54
4) Especificação	55
5) Procedimentos de segurança	57
6) Instruções operacionais	57
7) Operação do painel de controle	58
8) Seleção de marcha	59
9) Detecção do ímã	60
10) Tecnologia ACCUDRILL	60
11) Seleção do cabo de extensão	61
12) Montagem das brocas	61
13) Operação do cabestrante	62
14) Soluções para problemas de perfuração	63
15) Montagem do mandril	64
16) Manutenção preventiva	64
17) Solução de problemas	66
18) Garantia	67
19) Liste de Peças de Reposição	68

1) FINALIDADE

Esta furadeira magnética foi projetada para perfurar metais ferromagnéticos em atividades de fabricação e construção das mais diversas indústrias. O ímã é utilizado para manter a broca no lugar durante o funcionamento da furadeira.

Quaisquer danos causados por atividade fora do seu uso pretendido não serão cobertos pela garantia.

2) REGRAS GERAIS DE SEGURANÇA

AVISO! Observe sempre as precauções básicas de segurança ao utilizar o equipamento, reduzindo assim o risco de incêndio, choques elétricos e ferimentos.

Leia todas estas instruções antes de iniciar a operação.

Retire a fonte de alimentação antes de realizar qualquer ajuste ou manutenção.

1. Mantenha a área de trabalho limpa e bem iluminada. Um ambiente desorganizado predispõe a acidentes.
2. Não utilize a máquina sob a chuva, em locais úmidos ou molhados. Não utilize esta ferramenta na presença de líquido inflamáveis ou gases.
 - Verifique se há espaço suficiente para ter acesso à tomada e aos interruptores de funcionamento.
3. Proteja-se contra choques elétricos: Evite o contato do corpo com superfícies aterradas (como tubulações, radiadores, estufas, compartimentos de refrigeração). A utilização de dispositivo de corrente residual de alta sensibilidade (30 mA / 0.1s) (RCD) aumenta a segurança elétrica.
4. Mantenha outras pessoas a uma distância segura da área de trabalho. Não permita que pessoas não qualificadas, especialmente crianças, aproximem-se do cabo de extensão ou da máquina.
5. Armazene a ferramenta em local seco e seguro, fora do alcance de crianças e pessoas não qualificadas.
6. Não force a máquina. Ela executará o trabalho de forma melhor e mais segura na velocidade para a qual foi projetada.
7. Utilize a ferramenta correta:
 - Não sobrecarregue as ferramentas. Não utilize ferramentas menores para realizar o trabalho de uma ferramenta destinada a serviços pesados.
 - Não utilize esta furadeira magnética para fins diferentes dos que se destina, como por exemplo, cortar troncos de árvores.
8. Vista-se adequadamente:
 - Não use roupas largas ou jóias, a fim de evitar acidentes. Um pedaço de tecido ou jóia que fique preso na peça de trabalho ou na ferramenta pode resultar em graves ferimentos.
 - Recomenda-se o uso de calçado antiderrapante para trabalhos em áreas externas.
 - Utilize touca para cobrir cabelos longos, evitando o risco de acidentes.
9. Utilize equipamento de proteção ao operar esta ferramenta:
 - Óculos de segurança para evitar que detritos atinjam os olhos.
 - Protetores ou tampões de ouvido para prevenir danos ao sistema auditivo.
 - Protetores faciais ou máscaras em operações que produzam poeira.
 - Luvas reforçadas para proteger as mãos e braços contra estilhaços e fragmentos.
10. Ao utilizar a furadeira, certifique-se de manter uma distância segura, prevenindo que fragmentos atinjam a área de corte ou a broca.
11. Utilize aspiradores de pó e equipamentos de coleta, assegurando que sejam corretamente conectados e funcionando adequadamente.
12. Não force o cabo elétrico; nunca puxe o cabo para desconectá-lo da tomada. Mantenha o cabo longe do calor, óleo e objetos cortantes.
12. Sempre que possível, utilize grampos para fixação ou torno para segurar a peça-obra. É mais seguro do que utilizar as mãos.
13. Segure a furadeira firmemente. Trabalhe sempre em posição confortável, mantenha um bom equilíbrio em todos os momentos.
14. Mantenha as ferramentas adequadamente:
 - Conserve as brocas afiadas e limpas para um desempenho melhor e mais seguro.
 - Verifique regularmente se a máquina apresenta qualquer desgaste ou danos.
 - Certifique-se que a máquina esteja limpa e livre de detritos antes de sua utilização.

- Desligue a unidade e desconecte o cabo elétrico da fonte de energia antes de qualquer manutenção.
 - Siga as instruções para lubrificação e troca de acessórios.
 - Inspeção os cabos elétricos periodicamente. Caso esteja danificado, procure um Centro de Serviço Autorizado **WALTER** para efetuar sua substituição.
 - Inspeção os cabos de extensão regularmente e substitua-os se estiverem danificados.
 - Mantenha as alças secas, limpas e livres de óleo e graxa.
15. Desligue a ferramenta quando não estiver em uso. Antes da manutenção e durante a troca de acessórios como brocas, desconecte a ferramenta da fonte de alimentação.
 16. Verifique se as chaves de ajuste foram retiradas da ferramenta antes de ligá-la.
 17. Evite o funcionamento acidental. Certifique-se que o ímã esteja na posição OFF (desligado) antes de ligar a ferramenta.
 18. Em trabalhos externos, utilize apenas cabos de extensão adequados para este fim.
 19. **AVISO!** As emissões de vibração durante o uso pode ser diferente do valor total indicado, dependendo da forma que a ferramenta esteja sendo utilizada.
 20. Esteja alerta durante todo o tempo em que estiver manuseando uma ferramenta elétrica. Use o bom senso. Não opere a ferramenta se estiver cansado, sob influência de álcool ou de qualquer substância ilegal.
 21. Verifique se há peças ausentes ou danificadas antes de utilizar a ferramenta. Avalie cuidadosamente a tarefa para determinar que a máquina opere adequadamente para a finalidade pretendida.
 22. Atenção! Utilize apenas os acessórios recomendados neste manual de instruções.
 23. Esta ferramenta está de acordo com as regras de segurança pertinentes. Os reparos devem ser feitos somente por um técnico qualificado Walter, utilizando-se peças de reposição originais.
- Reparos ou substituições realizadas por pessoal não autorizado podem resultar em perigo considerável para o usuário.
24. Nunca opere a máquina faltando peças, ou com peças danificadas.
 25. Nunca direcione jatos de água ou líquidos inflamáveis sobre a furadeira.
 26. O operador deve ser fisicamente capaz de lidar com o peso da máquina.
 27. O operador deve ser treinado para o correto uso da máquina.

3) PICTOGRAMAS DE INFORMAÇÃO



1



2



3



4

1. Consulte o manual do proprietário para dúvidas operacionais e de segurança. em relação a esta máquina.
2. Descarte corretamente a máquina e componentes elétricos.
3. Utilize óculos de segurança durante a operação da máquina.
4. Utilize protetores auriculares durante a operação da máquina.

4) ESPECIFICAÇÕES

ICECUT 100

Capacidade máxima de furação em aço 0.2 /0.3C = 30mm de diâmetro x 35mm de profundidade Furo do eixo = 19,05mm (3/4 ") de diâmetro.

ICECUT 100		
Tensão de operação / Freqüência	120V 50-60Hz	
Carga total normal	7 A	850W
Ímã	0.6A	69W
Tamanho	180mm de comprimento 90mm de largura	
Força de retenção a 20°C com espessura mínima da chapa 25mm O uso de qualquer material com espessura inferior a 25mm irá reduzir progressivamente o desempenho magnético. Se possível, posicione uma chapa de metal adicional sob o ímã e a peça-obra, para atingir a espessura adequada. Caso não seja possível, deve ser utilizado um método alternativo de imobilização segura da máquina.	10,000N	
Carga total (ímã + motor)	919W	
Dimensões totais		
Altura máxima estendida	414mm	
Altura mínima	349mm	
Largura (incluindo o cabestrante)	165mm	
Comprimento total (incluindo a capa de proteção)	270mm	
Peso Líquido	11.68kgs	
Especificação	39-D 100	
Valores totais de vibração (triax vector sum) conforme EN61029-1	Valor de emissão de vibração (ah):2.273m/s ² Incerteza (K):1.5m/s ²	
Nível de pressão sonora conforme EN61029-1	Pressão sonora: 87.9 dB(A) Potência acústica (LwA): 100.9 dB(A) Incerteza (K): 3dB(A)	

Devem-se utilizar óculos de segurança e protetores auriculares durante a operação da máquina, assim como luvas reforçadas. Esta ferramenta é projetada e fabricada no Reino Unido com componentes de origem global, e está em conformidade com as exigências da CSA certificação.

NÃO UTILIZE EM CORRENTE CONTÍNUA (DC)

Não use a furadeira magnética na mesma estrutura do arco de soldagem quando este estiver em funcionamento.

A corrente contínua voltará através do ímã e causará sérios danos.

AVISO: ESTE EQUIPAMENTO DEVE SER ATERRADO!

Nota: Qualquer modificação efetuada neste equipamento anulará a garantia

ICECUT 200

Capacidade máxima de furação em aço 0.2 / 0.3C = 40mm de diâmetro x 50mm de profundidade Furo do eixo = 19,05mm (3/4 ") de diâmetro.

ICECUT 200	
Tensão de operação / Freqüência	120V 50-60Hz
Carga total normal	10 A 1200W
Ímã	0.6A 69W
Tamanho	180mm de comprimento 90mm de largura
Força de retenção a 20°C com espessura mínima da chapa 25mm O uso de qualquer material com espessura inferior a 25mm irá reduzir progressivamente o desempenho magnético. Se possível, posicione uma chapa de metal adicional sob o ímã e a peça-obra, para atingir a espessura adequada. Caso não seja possível, deve ser utilizado um método alternativo de imobilização segura da máquina.	10,000N
Carga total (ímã + motor)	1269W
Dimensões totais	
Altura máxima estendida	514mm
Altura mínima	434mm
Largura (incluindo o cabestrante)	185mm
Comprimento total (incluindo a capa de proteção)	285mm
Peso Líquido	13.3kgs
	39-D-200
Valores totais de vibração (triax vector sum) conforme EN61029-1	Valor de emissão de vibração (ah): 2.746m / s2 Incerteza (K): 1,5 m / s ²
Nível de pressão sonora conforme EN61029-1	<i>Pressão sonora (LPA): 90,6 dB (A)</i> <i>Potência acústica (LWA): 103,6 dB (A)</i> <i>Incerteza (K): 3 dB (A)</i>

Devem-se utilizar óculos de segurança e protetores auriculares durante a operação da máquina, assim como luvas reforçadas. Esta ferramenta é projetada e fabricada no Reino Unido com componentes de origem global, e está em conformidade com as exigências da CSA certificação.

NÃO UTILIZE EM CORRENTE CONTÍNUA (DC)

Não use a furadeira magnética na mesma estrutura do arco de soldagem quando este estiver em funcionamento.

A corrente contínua voltará através do ímã e causará sérios danos.

AVISO: ESTE EQUIPAMENTO DEVE SER ATERRADO!

Nota: Qualquer modificação efetuada neste equipamento anulará a garantia

5) PROCEDIMENTOS DE SEGURANÇA (LEIA ANTES DE USAR A MÁQUINA)

- Observe sempre as precauções básicas de segurança ao utilizar o equipamento, reduzindo assim o risco de incêndio, choques elétricos e ferimentos.

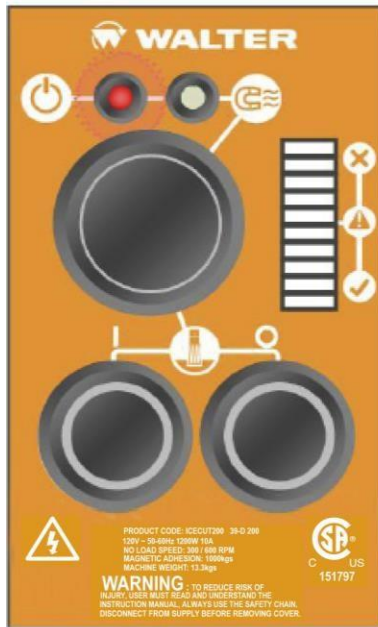
- Certifique-se que o ímã esteja desligado (OFF) antes de conectar a máquina.
- Não utilize a furadeira se estiver molhada ou úmida. sob risco de resultar em danos físicos.
- Não utilize a ferramenta na presença de líquidos inflamáveis ou gases. ou em ambientes perigosos. A não observância a esta regra pode causar acidentes.
- ANTES de ativar a máquina, inspecione todos os cabos elétricos (incluindo os cabos de extensão), e substitua-os caso estejam danificados. NÃO utilize nenhum cabo elétrico que apresente qualquer sinal de dano.
- Use apenas cabos de extensão aprovados para as condições do local.
- ANTES de ativar a máquina, verifique SEMPRE o funcionamento correto de todos os sistemas operacionais, interruptores, ímã etc.
- ANTES da operação, a máquina DEVE estar firmemente presa a uma peça fixa (com a alça de segurança RD4329 ou por outros meios) para evitar que a furadeira se mova caso o ímã se destaque da peça-obra. Não fazer isso pode resultar em danos pessoais.
- Use SEMPRE óculos de segurança, protetores auriculares e EPIs recomendados ao operar a ferramenta.
- Desligue a ferramenta ao fazer a troca de brocas ou manutenção.
- Brocas e cavacos são afiados. SEMPRE utilize luvas para proteger as mãos ao efetuar a troca das brocas ou remover cavacos. Utilize ferramenta apropriada para soltar a broca do eixo ou escova para remover limalhas.
- Antes de operar a máquina, assegure que os parafusos de retenção da broca estejam firmemente apertados.
- Limpe regularmente a área de trabalho e remova cavacos da furadeira, dando especial atenção à parte inferior da base magnética.
- SEMPRE remova gravatas, anéis, relógios e quaisquer adornos que possam enroscar na ferramenta em funcionamento.
- Prenda ou cubra com touca os cabelos longos antes de operar a máquina.
- Se a broca prender-se na peça-obra, desligue o motor imediatamente para evitar danos pessoais. Desconecte a furadeira da fonte de energia and turn arbor to and fro. NÃO TENHA soltar a broca ligando e desligando o motor repetidamente. Use luvas de segurança para a broca do eixo.
- No caso de queda acidental, examine a furadeira minuciosamente para detectar sinais de danos. Certifique-se que a ferramenta funciona corretamente antes de reiniciar a perfuração.
- Inspeção regularmente a furadeira e verifique se há peças danificadas ou soltas.
- Em trabalhos onde seja necessário operar a máquina em posição invertida, certifique-se de ter abastecido a furadeira somente com a quantidade mínima de líquido de refrigeração, e garanta que o líquido não penetre no motor.
- Sempre posicione a capa de proteção sobre a broca antes de ligar a máquina, evitando acidentes no caso de quebra da broca.
- A furadeira produz resíduos de metal ao final do corte. Não opere a máquina sem remover esses resíduos para evitar lesões.
- Quando não estiver em uso, armazene a máquina em local seguro e protegido.
- Certifique-se de que os reparos sejam realizados somente profissionais qualificados WALTER.

6) INSTRUÇÕES OPERACIONAIS

- Mantenha o interior da broca livre de cavacos, pois estes limitam a profundidade do corte.
- Certifique-se que o reservatório do refrigerante contenha óleo de corte suficiente para completar a operação. Reabasteça sempre que necessário.
- Pressione ocasionalmente o pino guia para garantir que o nível do fluido de corte seja medido corretamente.
- Siga as instruções do painel de controle para iniciar a máquina.
- Para desligar o motor, pressione o interruptor vermelho (ON/OFF). Não desligue o motor pressionando o interruptor do ímã.
- Aplique leve pressão ao iniciar a perfuração, até que a broca seja introduzida na superfície de trabalho. A partir daí a pressão pode ser aumentada o suficiente para carregar o motor. A pressão excessiva não aumenta a velocidade de penetração e irá acionar o dispositivo de proteção contra sobrecarga, desligando o motor (que pode ser reiniciado ligando o interruptor de acionamento do motor). Pressão em excesso também pode causar superaquecimento e resultar em ejeção inconsistente dos cavacos.
- Certifique-se sempre de que o cavaco foi ejetado do furo anterior antes de iniciar a próxima perfuração.

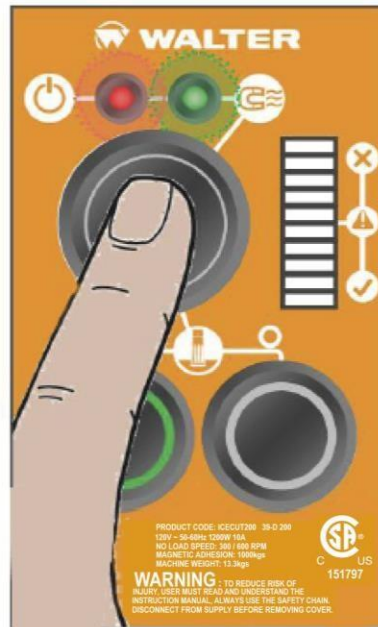
- Caso haja aderência de cavacos à broca, coloque a furadeira sobre uma superfície plana, ligue o ímã e gentilmente encoste a broca na superfície. Este procedimento geralmente desprende o cavaco, que é então ejetado normalmente.
- Aplique regularmente uma pequena quantidade de óleo lubrificante na lâmina e no rolamento de apoio do mandril.
- Fixação inadequada, montagem frouxa da lâmina ou rolamento de apoio do mandril gasto são as causas mais comuns para a quebra de brocas (Consulte as instruções sobre manutenção preventiva).
- Utilize apenas o fluido de corte ICECUT de Walter, especialmente formulado para maximizar o desempenho das brocas. Disponível em embalagens de cinco litros (53 056-C) e 20 litros (53-C 057).

7) OPERAÇÃO DO PAINEL DE CONTROLE



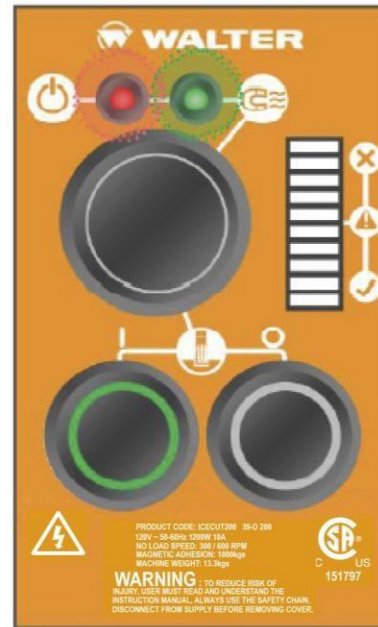
1) Energia

Quando a furadeira estiver conectada à rede elétrica, o LED vermelho indicará que a mesma está energizada.



2) Eletroímã Acionado

Para acionar ou desligar o eletroímã, pressione o botão maior no painel de controle. Um LED verde indicará que o eletroímã está ligado.



3) Acionamento do Motor

Quando o eletroímã estiver ligado, o interruptor Verde estará iluminado indicando o acionamento do motor.



4) Motor Ligado

Pressione o botão verde para acionar o motor. Siga os procedimentos de segurança para o eletroímã permanecerá ligado.

5) Furação com Brocas Anelares

Veja a seguir os detalhes para o processo de furação. LED verde se acenderá.

6) Motor desligado

Para desligar o motor, pressione o botão vermelho. O motor desligará e procedimentos de segurança para o eletroímã permanecerá ligado.

8) SELEÇÃO DE MARCHA (só ICECUT200)

A furadeira magnética Icecut 200 é equipada com caixa de transmissão de duas velocidades. A marcha é utilizada para reduzir a velocidade de saída durante a utilização de brocas maiores.

Utilize a posição 1 para brocas de até 30mm de diâmetro
 Utilize a posição 2 para brocas entre 30mm e 40mm de diâmetro



Marcha em posição 1: Alta velocidade.
 Para brocas com até 30mm de diâmetro



Marcha em posição 2: Baixa velocidade.
 Para brocas entre 30mm e 40mm de diâmetro

9) DETECÇÃO (RETENÇÃO) DO ÍMÃ

Para trabalhos em materiais finos, aconselha-se a utilização de chapa de metal para aumentar a espessura do material sob o ímã. Perfurar materiais delgados sem a ajuda do metal adicional reduz a força de retenção do ímã.

Recomenda-se utilizar a furadeira em materiais ferromagnéticos com espessura igual ou acima de 8mm. Danos à base de ímã, tais como corrosão, afetam sua força de retenção.

10) TECNOLOGIA ACCUDRILL

Projetada para que você extraia o máximo de seu equipamento e brocas anelares. TECNOLOGIA ACCUDRILL possui um painel de fácil visualização que indica se há um esforço excessivo no processo de furação, o que poderia danificar a máquina ou a ferramenta. Deixe que a broca faça o trabalho e você obterá furos com melhor acabamento, mais rápidos e com maior facilidade.



ZONA VERDE

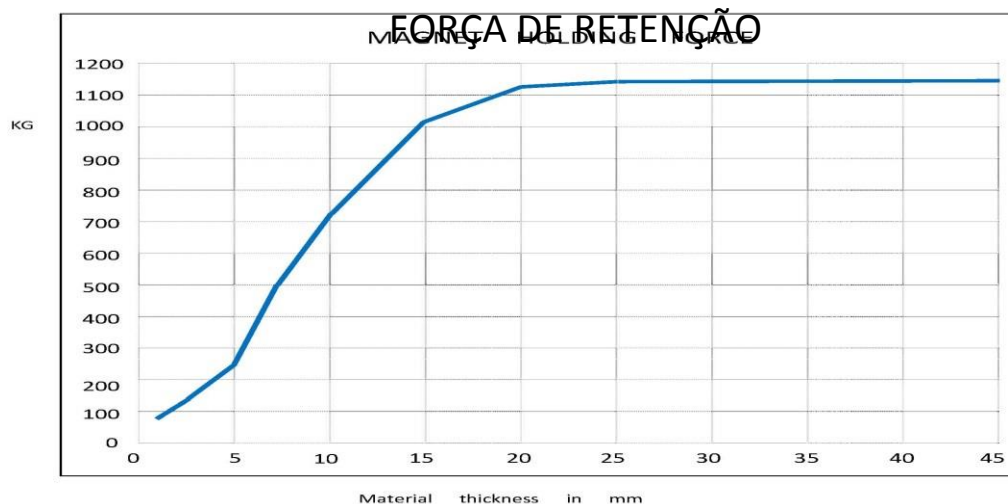
Pressão de trabalho ideal. Tente permanecer nesta zona para pouco a pressão d'operação máximo desempenho do conjunto.

ZONA AMARELA

Pressão acima do ideal. Alivie um pouco a pressão d'operação máximo

ZONA VERMELHA

Excesso de pressão. Alivie imediatamente a pressão de corte pois poderá forçar o desligamento do motor.



Espessura do material em mm

11) SELEÇÃO DO CABO DE EXTENSÃO

Esta furadeira vem equipada com cabo elétrico de 3m de comprimento e três condutores de 1,5 mm²: vivo, neutro e terra. Caso seja necessário conectar um cabo de extensão da fonte de alimentação, utilize um cabo de capacidade adequada. Utilizar cabos inadequados resulta na perda de tração do ímã e redução na potência do motor. Em fonte normal de Corrente Alternada (AC) na tensão correta, recomenda-se que a extensão não ultrapasse os seguintes comprimentos:

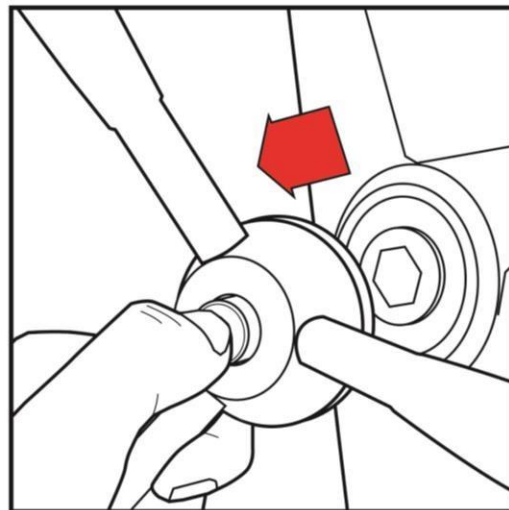
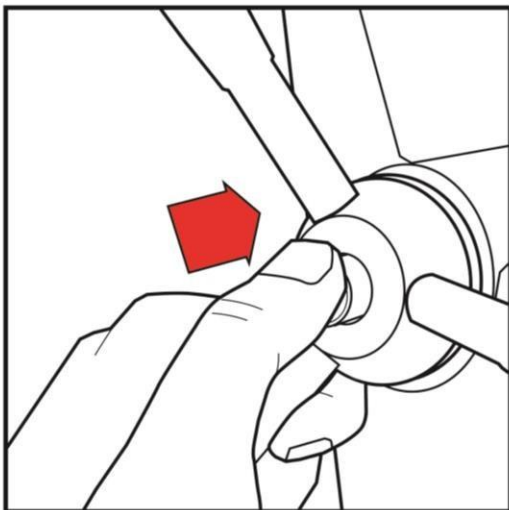
Para 120V: 3,5 metros de 3 core x 1,5 mm²

12) MONTAGEM DAS BROCAS

SEMPRE DESLIGUE A FERRAMENTA DA FONTE DE ALIMENTAÇÃO ANTES DE EFETUAR A TROCA DAS BROCAS.

- A furadeira foi feita para operar com brocas de 19,05 milímetros (3/4") de diâmetro com haste Weldon. Siga o procedimento abaixo para a montagem das brocas:
- Coloque a máquina sobre sua lateral com as alças de alimentação para cima, garantindo que o eixo esteja wind down até seu ponto mais baixo, permitindo o acesso aos parafusos soquete.
- Insira o pino guia apropriado no orifício da haste da broca. Insira a haste da broca no furo do mandril, garantindo o alinhamento de duas superfícies planas com parafusos soquetes.
- Aperte os parafusos com chave sextavada.

13) OPERAÇÃO DO CABRESTANTE



O cabrestante de engate rápido é um recurso que oferece simple dual side operation.

Para remover o cabrestante:

1. Pressione o botão central na calota do cabrestante, segurando os braços do cabrestante.
2. Com o botão pressionado, puxe o cabrestante do corpo principal, segurando os braços do cabrestante.
3. Reinsira o eixo hexagonal na ranhura hexagonal para fixar o cabrestante.

14) SOLUÇÕES PARA PROBLEMAS DE PERFURAÇÃO

<i>Problema</i>	<i>Causa</i>	<i>Solução</i>
1) A base magnética não retém (prende?) com eficácia	Material a ser cortado muito fino para a retenção eficaz. Limalha ou sujeira sob o ímã. Irregularidade no contato do ímã ou da peça-obra. Ímã recebendo corrente insuficiente durante os ciclos de perfuração	Anexe uma peça adicional de metal sob o ímã, ou fixe a base magnética com grampo à peça-obra. Limpe o ímã. Remova com muito cuidado as imperfeições da superfície com lima. Verifique a fonte de alimentação e de saída da unidade de controle. Inspecione o cabo elétrico.
2) A broca desliza para fora da marca de perfuração no início da operação	Base magnética não retém de forma eficaz. Buchas do mandril e/ou colar ejetor gastos. Pressão de alimentação excessiva no início do corte. Brocas cegas, gastas, lascadas ou mal afiadas. Marca de perfuração mal feita; mola do pino guia ; pino guia não centralizado na marca de perfuração. Pino guia gasto ou torto, furo do pino guia gasto.	Veja ponto 2) acima. Substitua a bucha do mandril. Exerça leve pressão até abrir uma ranhura, que servirá então como estabilizador. Substitua ou afie as brocas. A Walter oferece um serviço de afiação. Corrija a marca de perfuração e / ou substitua a peça gasta. Substitua a peça. Ajuste se necessário.
3) Operação exige pressão de perfuração excessiva	Broca reafiada incorretamente, gasta ou lascada. Cavacos depositados na superfície da peça-obra. Chavetas desajustadas ou sem lubrificação. Cavaco acumulado no interior da broca.	Reafie ou substitua a broca. Não inicie o corte sem remover os cavacos da perfuração anterior. Ajuste e lubrifique os parafusos de ajuste. Limpe a broca.
4) Quebra excessiva das brocas	Cavaco ou sujeira sob a broca. Broca reafiada incorretamente ou gasta. Broca ricocheteia. Lâmina precisa de ajuste. Broca não está presa firmemente ao eixo. Óleo de corte de tipo inadequado ou em quantidade insuficiente. Velocidade incorreta	Remova a broca, limpe a peça completamente e substitua (a broca ou a peça?). Tenha sempre à mão uma broca nova para verificar a geometria correta dos dentes, juntamente com a ficha de instruções. Veja ponto 2) acima. Aperte os parafusos tangentes que suportam a lâmina. Aperte novamente. Injete óleo de baixa viscosidade no anel de indução do refrigerante e confirme se o óleo está sendo medido na broca quando o pino guia é deprimido. Se não estiver, verifique se há sujeira na ranhura do pino guia e no interior do eixo ou aplique óleo externamente (mesmo uma pequena quantidade de óleo é eficaz). Certifique-se que está usando a marcha correta para a broca.
5) Desgaste excessivo da broca	Veja causas e soluções acima. Broca reafiada incorretamente. Pressão de corte insuficiente ou irregular.	Consulte as instruções e observe uma broca nova para verificar a geometria correta dos dentes de corte. Use pressão constante suficiente para desacelerar a broca. Isto resultará na velocidade e carga de corte ideais.

15) MONTAGEM DO MANDRIL

- Para remover o mandril, coloque a máquina sobre sua lateral.
- Solte os dois parafusos tangentes no topo do eixo.
- Remova o mandril quando este se soltar do eixo.
- Remova o suporte do mandril e capa de proteção com o arbor retained.
- Monte o mandril usando o adaptador.
- Para substituir o mandril, execute a sequência inversa.

16) MANUTENÇÃO PREVENTIVA

Para prolongar a vida útil de sua ferramenta Walter, mantenha-a sempre sua em boas condições de funcionamento. Proceda inspeções regularmente, verificando os itens abaixo conforme indicado.

Antes de iniciar qualquer trabalho, certifique-se que a máquina esteja em bom estado e sem peças danificadas ou soltas. As peças soltas devem ser apertadas.

Antes de efetuar trabalhos de manutenção, assegure que a furadeira esteja desconectada.

Descrição	A cada operação	Semanal	Mensal
Inspeção visual	X		
Funcionamento	X		
Escovas		X	
Base magnética	X		
Alinhamento da máquina			X
Lubrificação			X
Rotor			X

Inspeção visual

A máquina deve ser inspecionada antes de cada operação para detectar quaisquer sinais de danos que afetem o seu funcionamento, especialmente no cabo de alimentação. Utilizar cabo de alimentação danificado pode causar sérios ferimentos ou morte.

Funcionamento

Ligue a máquina para certificar-se que todos os componentes estejam funcionando corretamente antes da operação. (Não sei se é exatamente isso)

Escovas

Devem ser inspecionadas semanalmente para verificar se não há desgaste. As escovas que apresentem um desgaste superior a 2/3 do seu tamanho original devem ser substituídas para não danificar a furadeira.

Base magnética

Antes de cada operação, certifique-se que a base magnética esteja plana e sem nenhum dano aparente. Uma base irregular afetará a eficácia do ímã e pode causar ferimentos ao operador.

Alinhamento da máquina

Um requisito essencial para o bom funcionamento da máquina é que a lâmina possa se mover de forma suave e controlada, livre de movimento lateral e vibração.

Para isso, recomenda-se ajustar periodicamente a lâmina procedendo da seguinte forma:

1. Coloque a furadeira na posição vertical e, por meio do cabrestante, eleve a lâmina à sua posição mais alta. Limpe as faixas de chaveta de latão e aplique uma pequena quantidade de óleo de máquina nas superfícies desgastadas.
2. Abaixar a lâmina à sua posição mais baixa. Leve a lâmina para o centro da caixa de sambladura e solte os parafusos, permitindo o livre movimento do suporte do mandril.
3. Iniciando pelos parafusos centrais, aperte suavemente todos os parafusos até encontrar uma leve resistência.
4. Mova a lâmina para cima e para baixo algumas vezes para testar o movimento e fazer os ajustes necessários. Procure garantir que todos os parafusos estejam exercendo pressão uniforme na lâmina, de cima para baixo. Uma lâmina perfeitamente ajustada irá operar livremente para cima e para baixo, sem qualquer movimento lateral.
5. Levante a lâmina para sua posição mais alta. Desprenda levemente o suporte de rolamento e aperte os parafusos, usando apenas os dedos.
6. Coloque a máquina sobre uma placa de aço, conecte-a à tomada e ligue o ímã. Ligue o motor. Caso o mandril não esteja corretamente alinhado, o suporte oscilará. Faça os ajustes necessários no suporte para garantir o alinhamento correto do eixo e aperte os parafusos utilizando uma chave. Aperte o suporte do rolamento do mandril.

Lubrificação

Verifique mensalmente a caixa de transmissão para assegurar que todos os componentes móveis estejam lubrificados com graxa para evitar o desgaste. A graxa deve ser trocada ao menos uma vez por ano para garantir o melhor desempenho da furadeira.

Verificar a estrutura da máquina

Ao menos uma vez por mês inspecione o rotor para verificar se não há sinais de danos na carcaça ou no comutador. É normal que haja certo desgaste no comutador após algum tempo de uso, pois esta peça entra em contato com as escovas. Ao observar qualquer sinal de dano incomum, no entanto, substitua a peça.

17) SOLUÇÃO DE PROBLEMAS

O ímã e o motor não funcionam	<ul style="list-style-type: none"> - O interruptor de ímã não está ligado à fonte de alimentação - Fiação danificada ou com defeito - Fusível com defeito - Interruptor do ímã com defeito - Unidade de controle com defeito - Fonte de alimentação com defeito
-------------------------------	---

O ímã funciona, mas o motor não	<ul style="list-style-type: none"> - Fiação danificada ou com defeito - As escovas de carvão estão presas ou gastas - Interruptor de ímã com defeito - Interruptor liga-desliga com defeito - Unidade de controle com defeito - Rotor e/ou campo com defeito - Interruptor de lâminas com defeito
O motor funciona, o ímã não	<ul style="list-style-type: none"> - Ímã com defeito - Fusível com defeito - Unidade de controle com defeito
As brocas quebram rapidamente, os furos são maiores do que o furo da broca	<ul style="list-style-type: none"> - Jogo na guia - Eixo torcido - O eixo que sai do motor está torto - Pino torcido
Motor com funcionamento irregular e/ou engripado	<ul style="list-style-type: none"> - Eixo torcido - O eixo que sai do motor está torto - Guia triangular não está montada reta - Sujeira entre o eixo e a guia triangular
Motor fazendo um som de chocalho	<ul style="list-style-type: none"> - Anel de engrenagem (parte inferior do rotor) desgastado - Engrenagem gasta - Falta lubrificação (graxa) na caixa de transmissão
Motor com zumbido, grandes faíscas e sem potência	<ul style="list-style-type: none"> - Rotor danificado - Campo queimado - Escovas de carvão gastas
Motor não liga ou falha	<ul style="list-style-type: none"> - Fiação danificada ou com defeito - Danos no rotor ou na bobina de campo - Escovas danificadas ou com defeito
Guiar a furadeira exige grande esforço	<ul style="list-style-type: none"> - Guia muito apertada - Guia seca - Sistema guia / cremalheira de engrenagem / rotação está sujo ou danificado
Força magnética insuficiente	<ul style="list-style-type: none"> - Fiação danificada ou com defeito - Parte inferior do ímã não está limpa e seca - Parte inferior do ímã não está plana - Peça de trabalho não é feita somente de metal - Peça de trabalho não é plana - Peça de trabalho é muito fina, com espessura inferior a 10 mm - Unidade de controle com defeito - Ímã com defeito
Quadro sob tensão	<ul style="list-style-type: none"> - Cabo quebrado/com defeito - Ímã com defeito - Motor excessivamente sujo
Fuse blows when magnet switch is turned on	<ul style="list-style-type: none"> - Damaged or defective wiring - Wrong value fuse - Defective magnet switch - Defective control unit - Defective magnet
O fusível estala quando o motor é ligado	<ul style="list-style-type: none"> - Fiação danificada ou com defeito - Fusível com valor errado - Motor funcionando irregularmente - Rotor e/ou campo com defeito - Escovas de carvão gastas - Unidade de controle com defeito
Sistema de rotação livre excessivamente longo	<ul style="list-style-type: none"> - Cremalheira de engrenagem solta ou com defeito - Sistema de rotação com defeito

18) GARANTIA

Todas as máquinas Walter Surface Technologies Inc. São inspecionadas e testadas antes do embarque, estando livres de qualquer defeito de material ou falha de montagem. A garantia é de 12 meses a partir da data da compra, desde que observe-se as condições normais de utilização. Todas as outras peças (exceto as brocas) têm garantia de 90 dias. O registro de compra deve ser preenchido online e enviado à Walter ou seu distribuidor autorizado (mas se é online como vai ser enviado à Walter ou seu distribuidor?) até 30 dias a partir da data da compra. O não preenchimento e envio do formulário irá anular a garantia. Se a análise do produto comprovar que o problema foi ocasionado por material defeituoso ou problema de fabricação, a **WALTER** irá reparar o produto (ou substituí-lo, a nosso critério) gratuitamente.

Esta garantia não cobre:

1. Desgastes normais d'utilização e danos causados pelo uso indevido do equipamento
2. Uso e abuso d'utilização que excedam a capacidade do equipamento, condições ambientais anormais, manutenção insuficiente.
3. Defeitos causados pela utilização d'acessórios, componentes ou peças impróprios, que não sejam originais Walter.
4. Reparos ou substituições realizadas por pessoal não autorizado e defeitos ocasionados por acidentes.
5. Componentes elétricos (estes estão sujeitos à garantia do fabricante).

O Pedido de Garantia deve ser registrado dentro do período de garantia.

ESTA GARANTIA LHE PROPORCIONA DIREITOS ESPECÍFICOS. AS CONDIÇÕES CONTIDAS NESTA GARANTIA NÃO SE DESTINAM A LIMITAR, MODIFICAR, TIRAR, NEGAR OU EXCLUIR QUAISQUER GARANTIAS ESTABELECIDAS EM QUALQUER LEGISLAÇÃO MUNICIPAL OU ESTADUAL. NA MEDIDA DO EXIGIDO POR LEI, AS DISPOSIÇÕES EM QUALQUER CIDADE, ESTADO OU LEGISLAÇÃO FEDERAL NO QUE DIZ RESPEITO A GARANTIAS TÊM PRIORIDADE SOBRE AS DISPOSIÇÕES DA PRESENTE GARANTIA.

“ONLY THE BEST”

ICECUT 100 / ICECUT 200

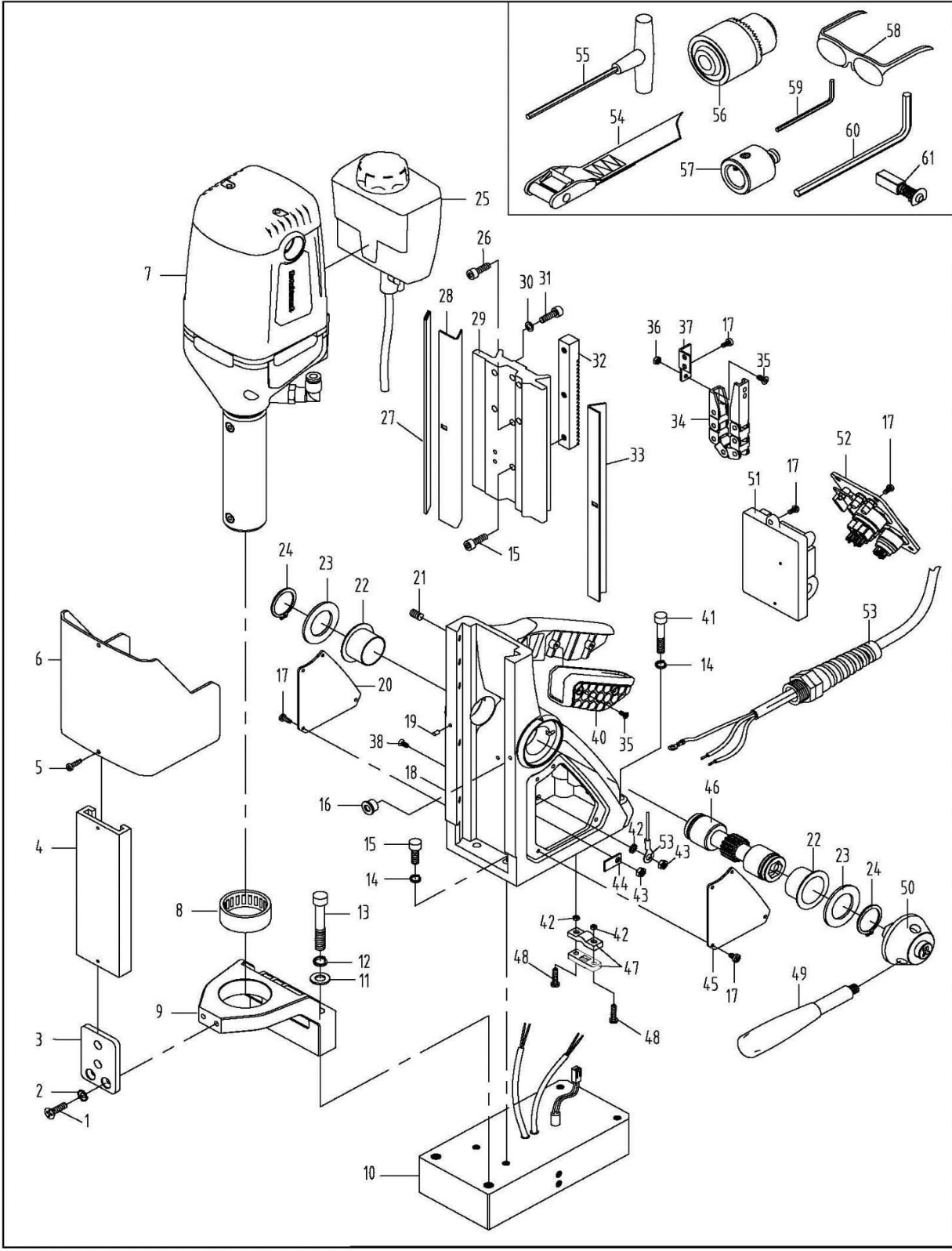
Spare Parts List
Pièces de Rechanges
Lista de Refacciones
Liste de Peças de Reposição



“Only the best”

 **WALTER**
Surface Technologies

EXPLODED VIEW OF MACHINE - ICECUT 100



NUMBER	CODE	DESCRIPTION
1	48S205	SCREW M5 × 16 CSK HD VIS M5 X 16 CSK HD TORNILLO M5 X 16 CSK HD PARAFUSO M5 X 16 CSK HD
2	48K600	M5 CSK WASHER RONDELLE M5 CSK ARANDELA M5 CSK ARRUELA M5 CSK
3	48H300	GUARD SUPPORT SOUTIEN DU GARDE SOPORTE DEL PROTECTOR SOPORTE DE GUARDA
4	48H301	SLIDE CHANNEL GLISSIÈRE DU GARDE GUARDIA DE ZIP GUARDA ZIP
5	48S206	SCREW M4 × 14 BTTN HD VIS M4 X 14 BTTN HD TORNILLO M4 X 14 BTTN HD PARAFUSO M4 X 14 BTTN HD
6	48H302	GUARD GARDE PROTECTOR GUARDA
7	48H303 (120V)	MOTOR ASSEMBLY MOTEUR MOTOR MOTOR MONTAJE
8	48H304	NEEDLE BEARING HK3516 ROULEMENT À AIGUILLES HK3516 RODAMIENTO DE AGUJAS ROLAMENTO DE AGULHAS
9	48H305	BEARING BRACKET SUPPORT DE ROULEMENT SOPORTE DE COJINETES SOPORTE DO MANCAL
10	48H306 (120V)	MAGNET AIMANT IMÁN IMÃ
11	48K601	M8 WASHER RONDELLE M8 ARANDELA M8 ARRUELA M8

12	48K602	M8 SPRING WASHER RONDELLE À RESSORT M8 ARANDELA ELÁSTICA M8 ARRUELA ELÁSTICA M8
13	48S223	SCREW M8 × 50 CAP HD VIS M8 × 50 CAP HD TORNILLO M8 × 50 CAP HD PARAFUSO M8 × 50 CAP HD
14	48K603	SPRING WASHER RONDELLE À RESSORT ARANDELA ELÁSTICA ARRUELA ELÁSTICA
15	48S207	SCREW M6 × 20 CAP HD VIS M6 X 20 CAP HD TORNILLO M6 X 20 CAP HD PARAFUSO M6 X 20 CAP HD
16	48H307	CABLE BUSH BAGUE DE CABLE PASACABLES CABO BUCHA
17	48S208	SCREW M4 × 8 BTTN HD VIS M4 × 8 BTTN HD TORNILLO M4 × 8 BTTN HD PARAFUSO M4 × 8 BTTN HD
18	48H308	MAIN HOUSING BOÎTIER PRINCIPAL CARCASA PRINCIPAL CASO PRINCIPAL
19	48K604	STRAIGHT PIN GOUPILLE CLAVIJA ALFINETE
20	48H309	RIGHT SIDE PANEL PANNEAU DROIT PANEL LATERAL DERECHO PAINEL LATERAL DIREITO
21	48S209	GRUB SCREW M6 × 12 VIS SANS TÊTE M6 X 12 TORNILLO PRISIONERO M6 X 12 PARAFUSO SEM CABEÇA
22	48H420	BUSH BAGUE BUJE MANCAL
23	48K605	CAPSTAN WASHER RONDELLE ARANDELA ARRUELA

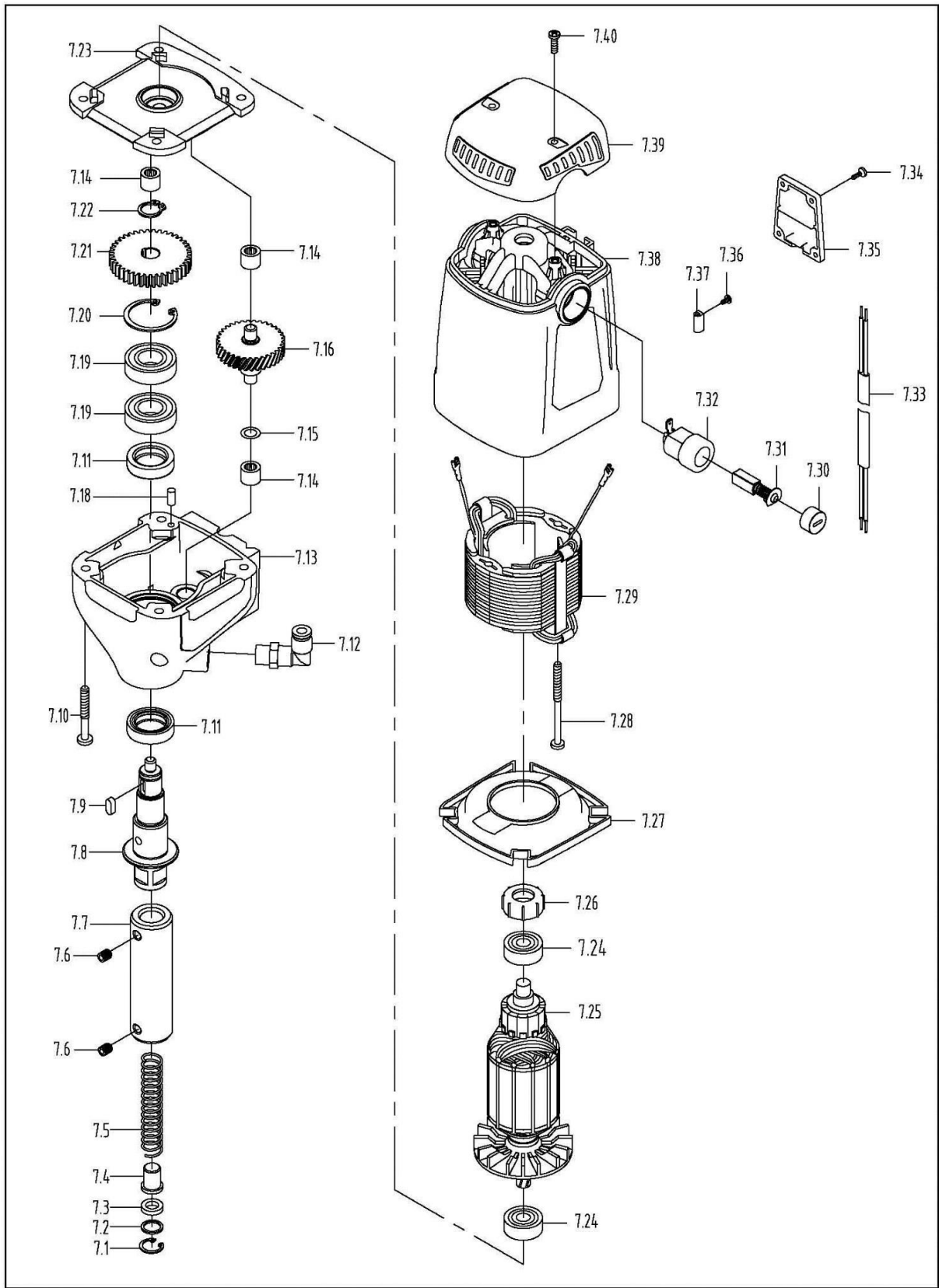
24	48K606	CIRCLIP CIRCLIP ANILLO DE RETENCIÓN ANEL DE RETENÇÃO
25	48H310	COOLANT BOTTLE ASSEMBLY BOUTEILLE LIQUIDE DE REFROIDISSEMENT CONJUNTO DE BOTELLA DE REFRIGERANTE MONTAGEM DE GARRAFA DE REFRIGERANTE
26	48S211	SCREW M6 × 16 CAP HD VIS M6 × 16 CAP HD TORNILLO M6 × 16 CAP HD PARAFUSO M6 × 16 CAP HD
27	48H311	GIB SUPPORT STRIP SUPPORT DE GLISSIÈRE CORREDERA DE SOPORTE SUPORTE DESLIZANTE
28	48H312	GIB STRIP 17.5MM SUPPORT DE GLISSIÈRE 17.5MM CORREDERA DE SOPORTE 17.5MM SUPORTE DESLIZANTE 17.5MM
29	48H313	SLIDE GLISSIÈRE CORREDERA DESLIZANTE
30	48K607	M5 SHAKEPROOF WASHER RONDELLE ANTIVIBRATION M5 ARANDELA ANTIVIBRACIONES ARRUELA ANTIVIBRATION
31	48S212	SCREW M5 × 22 CAP HD VIS M5 × 22 CAP HD TORNILLO M5 × 22 CAP HD PARAFUSO M5 × 22 CAP HD
32	48H314	RACK SOCLE DE FIXATION RACK DE MONTAJE RACK DE MONTAGEM
33	48H315	GIB STRIP 13.5MM SUPPORT DE GLISSIÈRE 13.5MM CORREDERA DE SOPORTE 13.5MM SUPORTE DELIZANTE 13.5MM
34	48H316	INTERNAL CHAIN CÂBLAGE INTERNE CADENA INTERNA CADEIA INTERNA
35	48S213	SCREW M3 × 8 CSK HD VIS M3 × 8 CSK HD TORNILLO M3 × 8 CSK HD PARAFUSO M3 × 8 CSK HD

36	48K608	M3 NUT ÉCROU M3 TUERCA M3 PORCA M3
37	48H317	CABLE CHAIN ATTACHMENT ATTACHE DU CÂBLAGE FIJACIÓN POR CABLE FIXAÇÃO DO CABO
38	48S214	SCREW M4 × 12 CSK HD VIS M4 × 12 CSK HD TORNILLO M4 × 12 CSK HD PARAFUSO M4 × 12 CSK HD
40	48H318	HANDLE INSERT INSERT DE POIGNÉE MANGO DE INSERCIÓN INSERÇÃO DE ALÇA
41	48S234	SCREW M6 × 40 CAP HD VIS M6 × 40 CAP HD TORNILLO M6 × 40 CAP HD PARAFUSO M6 × 40 CAP HD
42	48K609	M4 WASHER RONDELLE M4 ARANDELA M4 ARRUELA M4
43	48K610	M4 NUT ÉCROU M4 TUERCA M4 PORCA M4
44	48H319	GROUND LABEL ÉTIQUETTE DE MISE EN TERRE ETIQUETA DE PUESTA A TIERRA RÓTULO DE ATERRAMENTO
45	48H320	LEFT SIDE PANEL PANNEAU GAUCHE PANEL LATERAL IZQUIERDO PAINEL LATERAL ESQUERDO
46	48H321	CAPSTAN AXEL AXEL DE CABESTAN AXEL DE CABRESTANTE EIXO TRACIONADOR AXEL
47	48H322	CABLE CLAMP SERRECÂBLE ABRAZADERA DE CABLE BRAÇADEIRA DE CABO
48	48S216	SCREW M4 × 14 CAP HD VIS M4 × 14 CAP HD TORILLO M4 × 14 CAP HD PARAFUSO M4 × 14 CAP HD

49	48H323	CAPSTAN ARM POIGNÉE MANEJE MANUSEIE
50	48H324	CAPSTANHUB HUB DE CABESTAN EJE DE CABRESTANTE CUBO DO EIXO TRACIONADOR
51	48H325 (120V)	PCB ASSEMBLY ASSEMBLAGE PCB MONTAJE DE PCB MONTAGEM PCB
52	48H326 (120V)	CONTROL PANEL ASSEMBLY ASSEMBLAGE DU PANNEAU DE CONTRÔLE CONJUNTO DEL PANEL DE CONTROL MONTAGEM DO PAINELDE CONTROLE
53	48Z201 (120V)	POWER CHORD CORDON D'ALIMENTATION CABLE DE ALIMENTACIÓN CABO DE ALIMENTAÇÃO
54	48H329	SAFETY BELT SANGLE DE SÉCURITÉ CINTURÓN DE SEGURIDAD CINTO DE SEGURANÇA
55	48Z004	4MM HEXAGONAL SPANNER CLÉ HEXAGONALE EN " T " 4MM 4MM HEXAGONAL LLAVE INGLESA 4MM HEXAGONAL CHAVE INGLESA
56	39D006	CHUCK MANDRIN MANDRIL CHUCK
57	39D005	CHUCK ADAPTER PORTE-MANDRIN ADAPTADOR DE MANDRIL ADAPTADOR DE MANDRIL
58	48H424	SAFETY GLASSES LUNETTES DE SÉCURITÉ GAFAS DE SEGURIDAD ÓCULOS DE SEGURANÇA
59	48Z003	3MM HEXAGONAL SPANNER CLÉ HEXAGONALE DE 3MM LLAVE HEXAGONAL DE 3MM CHAVE HEXAGONAL 3MM
60	48Z007	6MM HEXAGONAL SPANNER CLÉ HEXAGONALE DE 6MM LLAVE HEXAGONAL DE 6MM CHAVE HEXAGONAL 6MM

61	48H346 (120V)	CARBON BRUSH BALAI DE CARBONE CEPILLO DE CARBONO ESCOVA DE CARVÃO
----	---------------	--

EXPLODED VIEW OD MOTOR AND GEAR BOX – ICECUT 100



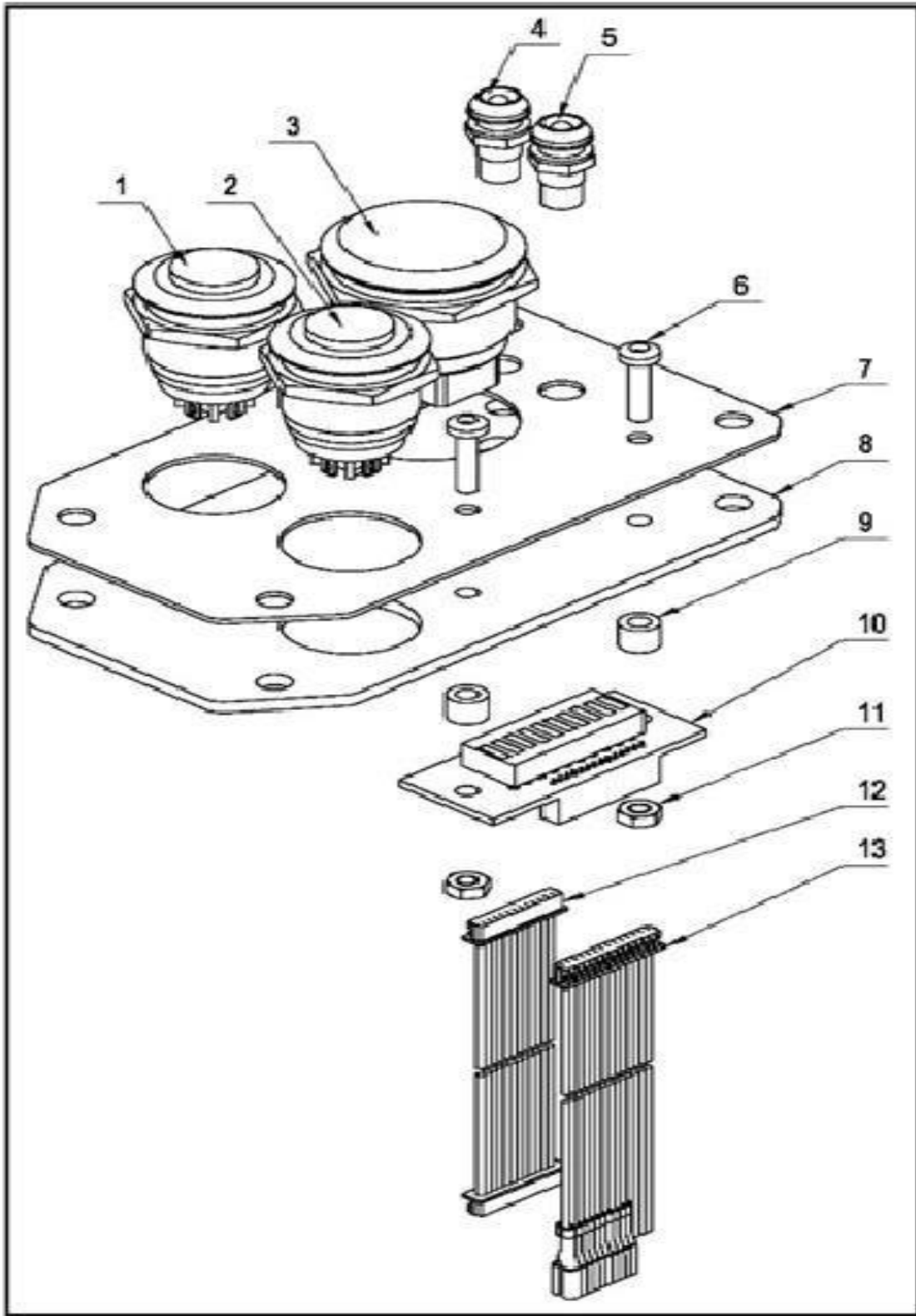
NUMBER	CODE	DESCRIPTION
7.1	48K614	CIRCLIP CIRCLIP ANILLO DE RETENCIÓN ANEL DE RETENÇÃO
7.2	48K213	FLAT WASHER RONDELLE PLATE ARANDELLA PLANA ARRUELA LISA
7.3	48K214	RUBBER WASHER RONDELLE EN CAOUTCHOUC ARRANDELLA DE GOMA ARUELA DE BORRACHA
7.4	48H328	BUTTON BOUTON BOTÓN BOTÃO
7.5	48H329	SPRING PRINTEMPS RESORTE PRIMAVERA
7.6	48S217	GRUB SCREW M8 x 8 VIS SANS TÊTE M8 X 8 TORNILLO PRISIONERO M8 X 8 PARAFUSO SEM CABEÇA M8 X 8
7.7	48H330	ARBOR ARBRE ÁRBOL ÁRVORE
7.8	48H331	ARBOR SPINDLE ARBRE ÁRBOL ÁRVORE
7.9	48H332	FLAT KEY CLAVETTE PLATE LLAVE PLANA CHAVE PLANA
7.10	48S225	TAPPING SCREW ST 4.8 X 40 VIS-TARAUD ST 4.8 X 40 TORNILLO ROSCADO ST 4.8 X 40 PARAFUSO DE BATIDA ST 4.8 X 40
7.11	48H333	OIL SEAL JOINT D'HUILE SELLO DE ACEITE VEDAÇÃO DE ÓLEO

7.12	48H334	FLUID ELBOW COUDE POUR LIQUIDE CODO FLUIDO COTOVELO FLUIDO
7.13	48H335	GEAR BOX BOÎTE D'ENGRENAGES CAJA DE CAMBIOS CAIXA DE ENGRENAGENS
7.14	48H336	NEEDLE BEARING HK071109 ROULEMENT À AIGUILLES HK071109 RODAMIENTO DE AGUJAS HK071109 ROLAMENTO DE AGULHAS HK071109
7.15	48K615	GEAR SHAFT WASHER 7MM ID RONDELLE D'ARBRE-PIGNON 7MM ID EEJE DEL REDUCTOR 7MM ID EIXO DA ENGRENAGEM 7MM ID
7.16	48H337	SPINDLE GEAR ROUE DU PIGNON RUEDA DE ENGRANAJE RODA DE ENGRENAGEM
7.18	48H338	STRAIGHT PIN GOUPILLE CLAVIJA ALFINETE
7.19	48Q265	ROLLING BEARING 6003 RS ROULEMENT 6003 RS RODAMIENTOS 6003 RS ROLAMENTO 6003 RS
7.20	48K 612	CIRCLIP CIRCLIP ANILLO DE RETENCIÓN ANEL DE RETENÇÃO
7.21	48H339	GEAR ENGRENAGE ENGRANAJE ENGRENAGEM
7.22	48K616	CIRCLIP CIRCLIP ANILLO DE RETENCIÓN ANEL DE RETENÇÃO
7.23	48H340	GEAR PLATE PLATEAU DE L'ENGRENAGE PLACA DE ENGRANAJE PLACE ENGRENAGEM
7.24	48Q264	ROLLING BEARING 608 2RS ROULEMENT 608 2RS RODAMIENTOS 608 2RS ROLAMENTO 608 2RS

7.25	48H341 (120V)	ARMATURE ARMURE ARMADURA ARMOR
7.26	48H342	BEARING SLEEVE PALIER À DOUILLE CASQUILLO DE CONJINETE MANCAL
7.27	48H343	BAFFLE PLATE E30 DÉFLECTEUR E30 PLACA DEFLECTORA E30 DEFLETOR PLACA E30
7.28	48S226	TAPPING SCREW ST 4.2 X 50 VIS-TARAUD ST 4.2 X50 TORNILLO ROSCADO ST 4.2 X 50 PARAFUSO DE BATIDA ST 4.2 X 50
7.29	48H344 (120V)	FIELD COIL BOBINE DE CHAMP BOBINA DE CAMPO CAMPO COIL
7.30	48H345	BRUSH CAP BOUCHON CEPILLO TÁPON ESCOVA CAP
7.31	48H346 (120V)	CARBON BRUSH BALAI DE CARBONE CEPILLO DE CARBONO ESCOVA DE CARVÃO
7.32	48H347	BRUSH HOLDER PORTE-BALAI TITULAR DE CEPILLO ESCOVA TITULAR
7.33	48H348	MOTOR CABLE CÂBLE DU MOTEUR CABLE DEL MOTOR CABO DO MOTOR
7.34	48KS221	TAPPING SCREW ST 2.9 X 8 VIS-TARAUD ST 2.9 X 8 TORNILLO ROSCADO ST 2.9 X 8 PARAFUSO DE BATIDA ST 2.9 X 8
7.35	48H349	WIRE BOX COVER COUVERCLE DE LA BOÎTE DE FIL CUBIERTA CABLE CAJA TAMPA DI FIO BOX
7.36	48S220	SCREW M3 X 6 BTTN HD VIS M3 X 6 BTTN HD TORNILLO M3 X 6 BTTN HD PARAFUSO M3 X 6 BTTN HD
7.37	48H350	TERMINAL TERMINAL SERVER TERMINAL TERMINAL

7.38	48H352	MOTOR HOUSING CARCASSE DE MOTEUR CUBIERTA DEL MOTOR MOTOR DEL HABITAÇÃO
7.39	48H353	TOP CAP COUVERCLE DU DESSUS CUBIERTA SUPERIOR COBERTURA TOPO
7.40	48S222	TAPPING SCREW ST 4.2 X 12 VIS-TARAUD ST 4.2 X 12 TORNILLO ROSCADO ST 4.2 X 12 PARAFUSO DE BATIDA ST 4.2 X 12

EXPLODED VIEW OF CONTROL PANEL – ICECUT 100



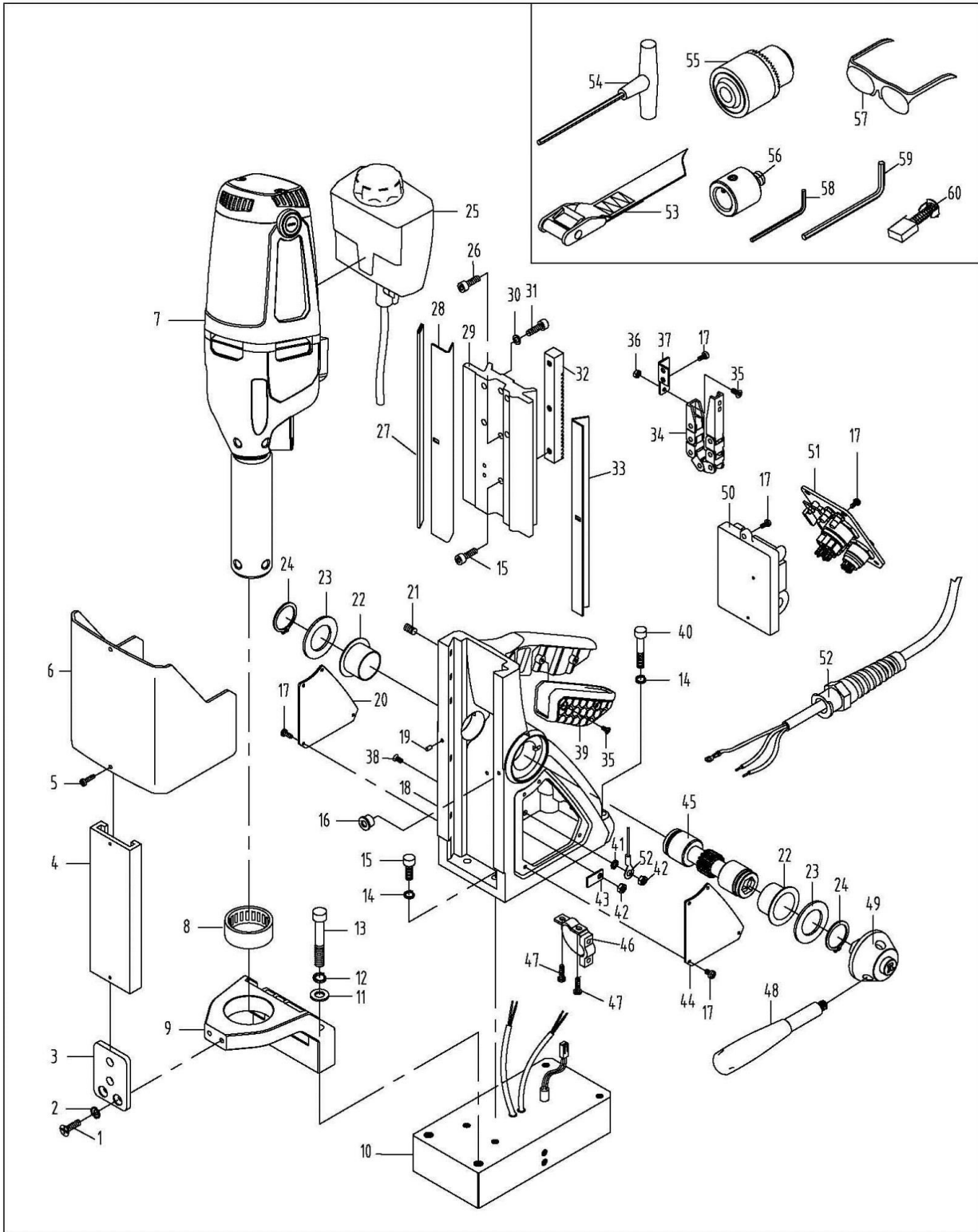
NUMBER	CODE	DESCRIPTION
1	48H397	MOTOR START SWITCH (GREEN LED) INTERRUPTEUR DU MOTEUR (DEL VERT) INTERRUPTOR DEL MOTOR (LED VERDE) INTERRUPTOR DO MOTOR (LED VERDE)
2	48H398	MOTOR STOP SWITCH (RED LED) INTERRUPTEUR DU MOTEUR (DEL ROUGE) INTERRUPTOR DEL MOTOR (LED ROJO) INTERRUPTOR DO MOTOR (LED VERMELHO)
3	48H399	MAGNET SWITCH INTERRUPTEUR DE L'ÉLECTRO-AIMANT INTERRUPTOR DE ELECTROIMÁN INTERRUPTOR ELECTROÍMÃ
4	48H400	RED LED LED ROUGE LED ROJO LED VERMELHO
5	48H401	GREEN LED LED VERT LED VERDE LED VERDE
6	48S227	SCREW M3 X 12 BTTN HD VIS M3 X 12 BTTN HD TORNILLO M3 X 12 BTTN HD PARAFUSO M3 X 12 BTTN HD
7	48H402	CONTROL PANEL COVER COUVERCLE DU PANNEAU DE CONTRÔLE CUBIERTA DEL PANEL DE CONTROL TAMPA DO PAINEL DE CONTROLE
8	48H403	CONTROL PLATE PLATEAU DE CONTRÔLE PLACA DE CONTROL PLACA DE CONTROLE
9	48H404	NYLON SPACER ESPACEUR EN NYLON ESPACIADOR DE NYLON NYLON ESPAÇADOR
10	48H405	ARRAY BOARD BOÎTIER DE CONNECTION PLACA DE MATRIZ PLACA DE MATRIZ
11	48K451	M3 NUT ÉCROU M3 TUERCA M3 PORCA M3
12	48H406	CONNECTION LINE CÂBLE DE RACCORDEMENT LÍNEA DE CONEXIÓN LINHA DE CONEXÃO

13

48H407

CONNECTION LINE
CÂBLE DE RACCORDEMENT
LÍNEA DE CONEXIÓN
LINHA DE CONEXÃO

EXPLODED VIEW OF MACHINE – ICECUT 200



NUMBER	CODE	DESCRIPTION
1	48S205	SCREW M5 × 16 CSK HD VIS M5 X 16 CSK HD TORNILLO M5 X 16 CSK HD PARAFUSO M5 X 16 CSK HD
2	48K600	M5 CSK WASHER RONDELLE M5 CSK ARANDELA M5 CSK ARRUELA M5 CSK
3	48H300	GUARD SUPPORT SOUTIEN DU GARDE SOPORTE DEL PROTECTOR SUPORTE DE GUARDA
4	48H301	SLIDE CHANNEL GLISSIÈRE DU GARDE GUARDIA DE ZIP GUARDA ZIP
5	48S206	SCREW M4 × 14 BTTN HD VIS M4 X 14 BTTN HD TORNILLO M4 X 14 BTTN HD PARAFUSO M4 X 14 BTTN HD
6	48H354	GUARD GARDE PROTECTOR GUARDA
7	48H355 (120V)	MOTOR ASSEMBLY ENSEMBLE MOTEUR MONTAJE DEL MOTOR CONJUNTO DE MOTOR
8	48H304	NEEDLE BEARING HK3516 ROULEMENT À AIGUILLES HK3516 RODAMIENTO DE AGUJAS ROLAMENTO DE AGULHAS
9	48H356	BEARING BRACKET SUPPORT DE ROULEMENT SOPORTE DE COJINETES SUPORTE DO MANCAL
10	48H306 (120V)	MAGNET AIMANT IMÁN IMÃ
11	48K601	M8 WASHER RONDELLE M8 ARANDELA M8 ARRUELA M8

12	48K602	M8 SPRING WASHER RONDELLE À RESSORT M8 ARANDELA ELÁSTICA M8 ARRUELA ELÁSTICA M8
13	48S223	SCREW M8 × 50 CAP HD VIS M8 × 50 CAP HD TORNILLO M8 × 50 CAP HD PARAFUSO M8 × 50 CAP HD
14	48K603	SPRING WASHER RONDELLE À RESSORT ARANDELA ELÁSTICA ARRUELA ELÁSTICA
15	48S207	SCREW M6 × 20 CAP HD VIS M6 X 20 CAP HD TORNILLO M6 X 20 CAP HD PARAFUSO M6 X 20 CAP HD
16	48H307	CABLE BUSH BAGUE DE CABLE PASACABLES CABO BUCHA
17	48S208	SCREW M4 × 8 BTTN HD VIS M4 × 8 BTTN HD TORNILLO M4 × 8 BTTN HD PARAFUSO M4 × 8 BTTN HD
18	48H308	MAIN HOUSING BOÎTIER PRINCIPAL CARCASA PRINCIPAL CASO PRINCIPAL
19	48K604	STRAIGHT PIN GOUPILLE CLAVIJA ALFINETE
20	48H357	RIGHT SIDE PANEL PANNEAU DROIT PANEL LATERAL DERECHO PAINEL LATERAL DIREITO
21	48S209	GRUB SCREW M6 × 12 VIS SANS TÊTE M6 X 12 TORNILLO PRISIONERO M6 X 12 PARAFUSO SEM CABEÇA
22	48H420	BUSH BAGUE BUJE MANCAL
23	48K605	CAPSTAN WASHER RONDELLE ARANDELA ARRUELA

24	48K606	CIRCLIP CIRCLIP ANILLO DE RETENCIÓN ANEL DE RETENÇÃO
25	48H425	COOLANT BOTTLE ASSEMBLY BOUTEILLE LIQUIDE DE REFROIDISSEMENT CONJUNTO DE BOTELLA DE REFRIGERANTE MONTAGEM DE GARRAFA DE REFRIGERANTE
26	48S211	SCREW M6 × 16 CAP HD VIS M6 × 16 CAP HD TORNILLO M6 × 16 CAP HD PARAFUSO M6 × 16 CAP HD
27	48H311	GIB SUPPORT STRIP SUPPORT DE GLISSIÈRE CORREDERA DE SOPORTE SUPORTE DESLIZANTE
28	48H312	GIB STRIP 17.5MM SUPPORT DE GLISSIÈRE 17.5MM CORREDERA DE SOPORTE 17.5MM SUPORTE DESLIZANTE 17.5MM
29	48H359	SLIDE GLISSIÈRE CORREDERA DESLIZANTE
30	48K607	M5 SHAKEPROOF WASHER RONDELLE ANTIVIBRATION M5 ARANDELA ANTIVIBRACIONES ARRUELA ANTIVIBRATION
31	48S212	SCREW M5 × 22 CAP HD VIS M5 × 22 CAP HD TORNILLO M5 × 22 CAP HD PARAFUSO M5 × 22 CAP HD
32	48H360	RACK SOCLE DE FIXATION RACK DE MONTAJE RACK DE MONTAGEM
33	48H315	GIB STRIP 13.5MM SUPPORT DE GLISSIÈRE 13.5MM CORREDERA DE SOPORTE 13.5MM SUPORTE DELIZANTE 13.5MM
34	48H361	INTERNAL CHAIN CHAINE INTERNE CADENA INTERNA CADEIA INTERNA
35	48S213	SCREW M3 × 8 CSK HD VIS M3 × 8 CSK HD TORNILLO M3 × 8 CSK HD PARAFUSO M3 × 8 CSK HD

36	48K608	M3 NUT ÉCROU M3 TUERCA M3 PORCA M3
37	48H362	CABLE CHAIN ATTACHMENT ATTACHE DU CÂBLAGE FIJACIÓN POR CABLE FIXAÇÃO DO CABO
38	48S214	SCREW M4 × 12 CSK HD VIS M4 × 12 CSK HD TORNILLO M4 × 12 CSK HD PARAFUSO M4 × 12 CSK HD
39	48H318	HANDLE INSERT INSERT DE POIGNÉE MANGO DE INSERCIÓN INSERÇÃO DE ALÇA
40	48S234	SCREW M6 × 40 CAP HD VIS M6 × 40 CAP HD TORNILLO M6 × 40 CAP HD PARAFUSO M6 × 40 CAP HD
41	48K609	M4 WASHER RONDELLE M4 ARANDELA M4 ARRUELA M4
42	48K610	M4 NUT ÉCROU M4 TUERCA M4 PORCA M4
43	48H319	GROUND LABEL ÉTIQUETTE DE MISE EN TERRE ETIQUETA DE PUESTA A TIERRA RÓTULO DE ATERRAMENTO
44	48H363	LEFT SIDE PANEL PANNEAU GAUCHE PANEL LATERAL IZQUIERDO PAINEL LATERAL ESQUERDO
45	48H321	CAPSTAN AXEL AXEL DE CABESTAN AXEL DE CABRESTANTE EIXO TRACIONADOR AXEL
46	48H322	CABLE CLAMP SERRE-CÂBLE ABRAZADERA DE CABLE BRAÇADEIRA DE CABO
47	48S216	SCREW M4 × 16 CAP HD VIS M4 × 16 CAP HD TORILLO M4 × 16 CAP HD PARAFUSO M4 × 16 CAP HD

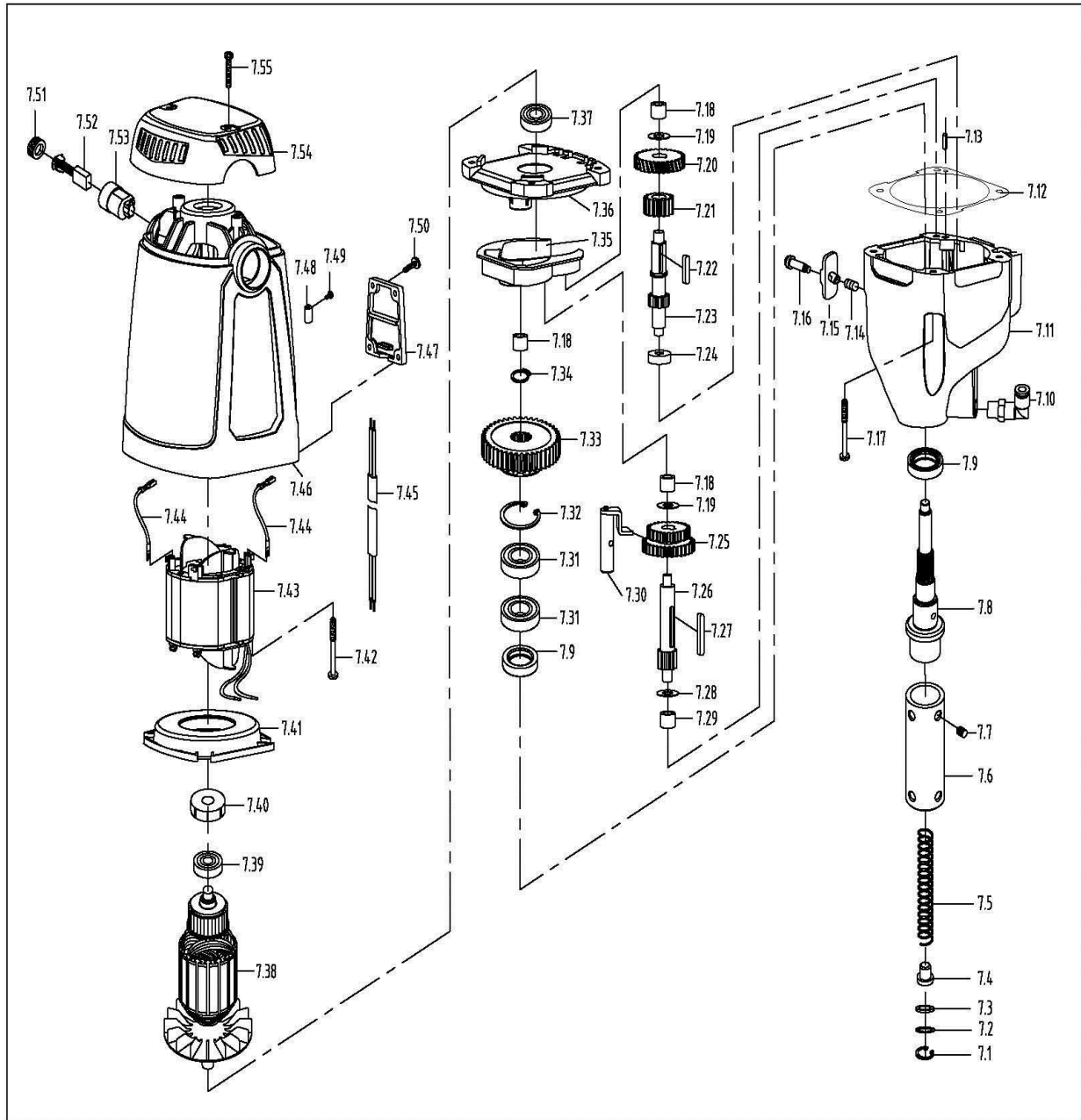
48	48H323	CAPSTAN ARM BRAS DE CABESTAN BRAZO DE CABRESTANTE BRAÇO DO EIXO TRACIONADOR
49	48H324	CAPSTAN HUB HUB DE CABESTAN EJE DE CABRESTANTE CUBO DO EIXO TRACIONADOR
50	48H364 (120V)	PCB ASSEMBLY ASSEMBLAGE PCB MONTAJE DE PCB MONTAGEM PCB
51	48H365 (120V)	CONTROL PANEL ASSEMBLY ASSEMBLAGE DU PANNEAU DE CONTRÔLE CONJUNTO DEL PANEL DE CONTROL MONTAGEM DO PAINELDE CONTROLE
52	48Z201 (120V)	POWER CHORD CORDON D'ALIMENTATION CABLE DE ALIMENTACIÓN CABO DE ALIMENTAÇÃO
53	48H327	SAFETY BELT SANGLE DE SÉCURITÉ CINTURÓN DE SEGURIDAD CINTO DE SEGURANÇA
54	48Z004	4MM HEXAGONAL SPANNER CLÉ HEXAGONALE DE 4MM LLAVE HEXAGONAL DE 4MM CHAVE HEXAGONAL 4MM
55	39D006	CHUCK MANDRIN MANDRIL CHUCK
56	39D005	CHUCK ADAPTER PORTE-MANDRIN ADAPTATOR DE MANDRIL ADAPTADOR DO MANDRIL
57	48H424	SAFETY GLASSES LUNETTES DE SÉCURITÉ GAFAS DE SEGURIDAD ÓCULOS DE SEGURANÇA
58	48Z003	3MM HEXAGONAL SPANNER CLÉ HEXAGONALE DE 3MM LLAVE HEXAGONAL DE 3MM CHAVE HEXAGONAL 3MM
59	48Z007	6MM HEXAGONAL SPANNER CLÉ HEXAGONALE DE 6MM LLAVE HEXAGONAL DE 6MM CHAVE HEXAGONAL 6MM

60

48H394

BRUSH
BROSSE
BROCHA
PINCEL

EXPLODED VIEW OF MOTOR AND GEAR BOX – ICECUT 200



NUMBER

CODE

DESCRIPTION

7.1	48K614	CIRCLIP CIRCLIP ANILLO DE RETENCIÓN ANEL DE RETENÇÃO
7.2	48K213	FLAT WASHER RONDELLE PLATE ARANDELLA PLANA ARRUELA LISA
7.3	48K214	RUBBER WASHER RONDELLE EN CAOUTCHOUC ARRANDELLA DE GOMA ARUELA DE BORRACHA
7.4	48H328	BUTTON BOUTON BOTÓN BOTÃO
7.5	48H366	SPRING PRINTEMPS RESSORT RESORTE
7.6	48H367	ARBOR ARBRE ÁRBOL ÁRVORE
7.7	48S217	GRUB SCREW M8 × 8 VIS SANS TÊTE M8 X 8 TORNILLO PRISIONERO M8 X 8 PARAFUSO SEM CABEÇA M8 X 8
7.8	48H368	ARBOR SPINDLE ARBRE ÁRBOL ÁRVORE
7.9	48H333	OIL SEAL JOINT D'HUILE SELLO DE ACEITE VEDAÇÃO DE ÓLEO
7.10	48H334	FLUID ELBOW COUDE POUR LIQUIDE CODO FLUIDO COTOVELO FLUIDO
7.11	48H369	GEAR BOX BOÎTE D'ENGRENAGES CAJA DE CAMBIOS CAIXA DE ENGRENAGENS
7.12	48K215	PAPER WASHER RONDELLE DE PAPIER ARRANDELA DE PAPEL ARRUELA DE PAPEL

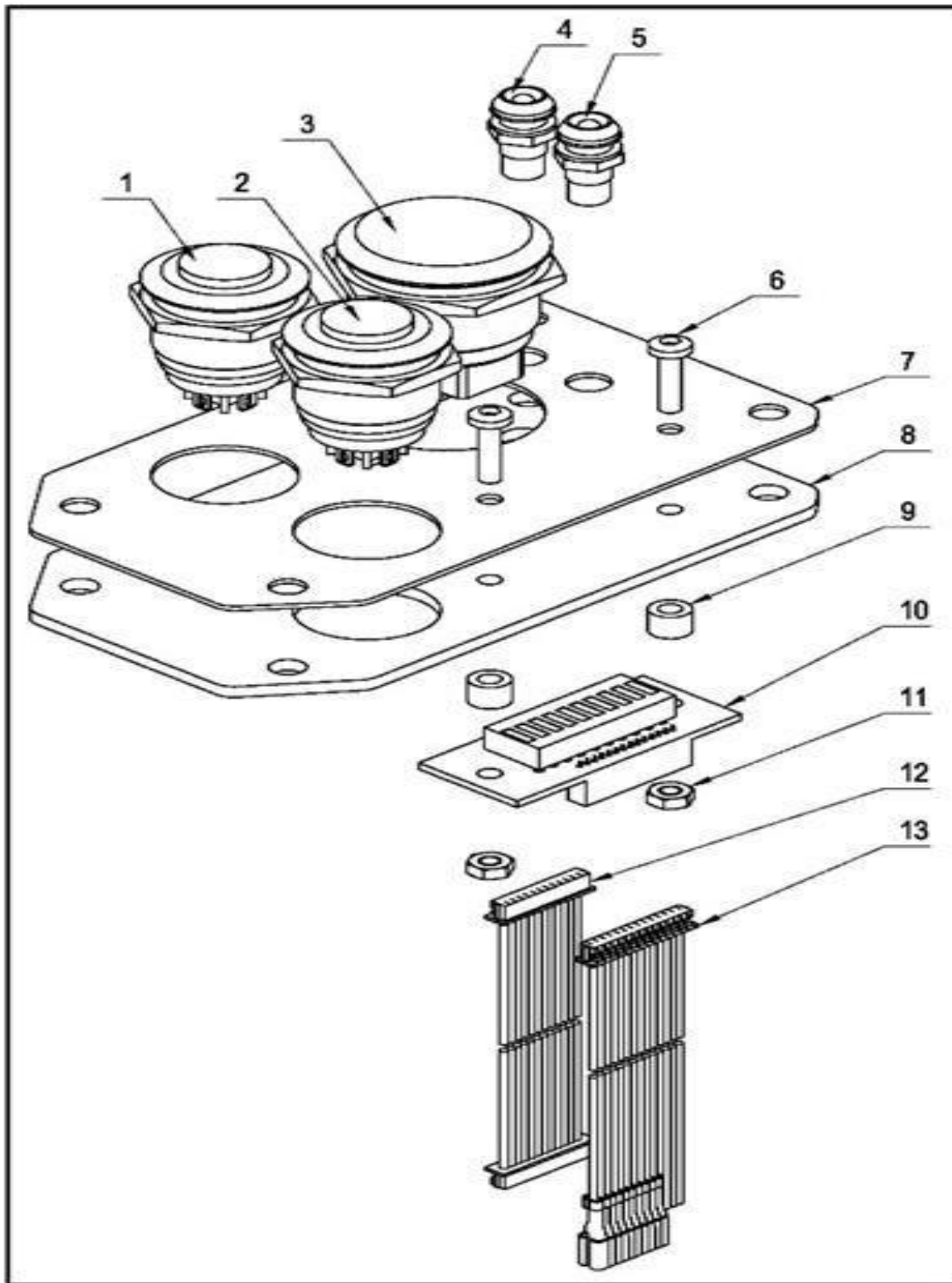
7.13	48H338	STRAIGHT PIN GOUPILLE CLAVIJA ALFINETE
7.14	48H370	SPRING PRINTEMPS RESSORT RESORTE
7.15	48H371	GEAR LEVER LEVIER PALANCA DE CAMBIOS ALAVANCA DE ENGRENAGEM
7.16	48H372	GEAR LEVER M4 SHOULDER BOLT BOULON DU LEVIER DE VITESSES PERNO SHIFTER PARAFUSO SHIFTER
7.17	48S218	TAPPING SCREW ST 4.8 × 45 VIS-TARAUD ST 4.8 X 45 TORNILLO AUTORROSCANTE ST 4.8 X 45 PARAFUSO TAPPING ST 4.8 X 45
7.18	48H373	NEEDLE BEARING HK0810 ROULEMENT À AIGUILLES HK0810 RODAMIENTO DE AGUJAS HK0810 ROLAMENTO DE AGULHAS HK0810
7.19	48K617	WASHER RONDELLE ARANDELA ARRUELA
7.20	48H374	HELICAL GEAR 31T 1.25M 15HA 30PA ENGRENAGE HÉLICOÏDAL 31T 1.25M 15HA 30PA ENGRANAJE HELICOIDAL 31T 1.25M 15HA 30PA ENGRENAGEM HELICOIDAL 31T 1.25M 15HA 30PA
7.21	48H375	17 TOOTH GEAR ENGRENAGE À 17 DENTS ENGRANAJE EL 17 ABOLLADURAS ENGRENAGEM UM 17 DENTES
7.22	48H376	KEY STEEL 4 × 4 × 16 CLÉ EN ACIER 4 × 4 × 16 LLAVE DE METAL 4 × 4 × 16 CHAVE DE METAL 4 × 4 × 16
7.23	48H377	GEAR AXEL AXE D'ENGRENAGE EJE DEL ENGRANAJE EIXO DA ENGRENAGEM
7.24	48Q264	ROLLING BEARING 608 ROULEMENT 608 RODAMIENTOS 608 ROLAMENTO 608

7.25	48H378	DUAL GEAR ROUE DOUBLE COAXIAL ENGRANAJE DOBLE ENGRENAGEM DUPLA
7.26	48H379	GEAR AXEL ENGRENAGE D'ESSIEU EJE DE LA RUEDA EIXO DA ENGRENAGEM
7.27	48H380	KEY STEEL LEVIER PALANCA ALAVANCA
7.28	48K611	GEAR SHAFT WASHER 10MM ID RONDELLE D'ARBRE-PIGNON 10MM ID EEJE DEL REDUCTOR 10MM ID EIXO DA ENGRENAGEM 10MM ID
7.29	48H381	NEEDLE BEARING HK1010 ROULEMENT À AIGUILLES HK1010 RODAMIENTO DE AGUJAS HK1010 ROLAMENTO DE AGULHAS HK1010
7.30	48H382	GEAR LEVER SHAFT ARBRE DE LEVIER DE VITESSES EJE DE LA PALANCA DE CAMBIOS ENGRENAGEM EIXO DA ALAVANCA
7.31	48Q265	ROLLING BEARING 6003 RS ROULEMENT 608 RS RODAMIENTOS 608 RS ROLAMENTO 608 RS
7.32	48K612	CIRCLIP CIRCLIP ANILLO DE RETENCIÓN ANEL DE RETENÇÃO
7.33	48H383	DRIVE GEAR ASSEMBLY ASSEMBLAGE DU PIGNON D'ENTRAÎNEMENT CONJUNTO DE ENGRANAJES CONJUNTO DE ENGRENAGENS
7.34	48K613	CIRCLIP CIRCLIP ANILLO DE RETENCIÓN ANEL DE RETENÇÃO
7.35	48H384	OIL BAFFLE PLATE DÉFLECTEUR D'HUILE PLACA DEFLECTORA DE ACEITE DEFLECTOR DE PETRÓLEO
7.36	48H385	GEAR PLATE PLATEAU D'ENGRENAGE PLACA DEL ENGRANAJES PLACA DE ENGRENAGEM

7.37	48Q266	ROLLING BEARING 6001 RS ROULEMENT 6001 RS RODAMIENTOS 6001 RS ROLAMENTO 6001 RS
7.38	48H386 (120V)	ARMATURE ARMATURE ARMADURA ARMADURA
7.39	48Q267	ROLLING BEARING 629 RS ROULEMENT 629 RS RODAMIENTOS 629 RS ROLAMENTO 629 RS
7.40	48H387	BEARING SLEEVE COUSSINET DU ROULEMENT RODIAMENTO PAD ROLAMENTO PAD
7.41	48H388	BAFFLE PLATE DÉFLECTEUR PLACA DEFLECTORA DEFLECTOR
7.42	48S219	TAPPING SCREW ST 4.2 × 65 VIS-TARAUD ST 4.2 X65 TORNILLO DE ROSCA ST 4.2 X 65 PARAFUSO TAPPING ST 4.2 X 65
7.43	48H389 (120V)	FIELD COIL BOBINE DE CHAMP BOBINE DE CHAMP BOBINA DE CAMPO
7.44	48H390	LEAD WIRE FIL D'ALIMENTATION ALIMENTACIÓN DEL ALAMBRE ALIMENTAÇÃO DO ARAME
7.45	48H391	MOTOR WIRE FIL DU MOTEUR CABLE DEL MOTOR FIO DO MOTOR
7.46	48H392	MOTOR HOUSING BOÎTIER DU MOTEUR CARCASA DEL MOTOR CAIXA DO MOTOR
7.47	48H349	WIRE BOX COVER COUVERCLE DU BOÎTIER DE FIL CUBIERTA DE LA CAJA DE ALAMBRE TAMPA DA CAIXA DE FIO
7.48	48H350	TERMINAL TERMINAL SERVER TERMINAL TERMINAL

7.49	48S220	SCREW M3 × 6 BTTN HD VIS M3 × 6 BTTN HD TORNILLO M3 × 6 BTTN HD PARAFUSO M3 × 6 BTTN HD
7.50	48S221	TAPPING SCREW ST 2.9 × 8 VIS-TARAUUD ST 2.9 × 8 TORNILLO DE ROSCA ST 2.9 × 8 PARAFUSO TAPPING ST 2.9 × 8
7.51	48H393	BRUSH CAP BOUCHON DE PORTE-BROSSE CEPILLO TAPA DEL SOPORTE CAP TITULAR ESCOVA
7.52	48H394	BRUSH BROSSE BROCHA PINCEL
7.53	48H395	BRUSH HOLD PORTE-BROSSE TITULAR DE CEPILLO SUPORTE DE ESCOVA
7.54	48H396	TOP CAP COUVERCLE TAPÓN SUPERIOR TAMPA SUPERIOR
7.55	48S222	TAPPING SCREW ST 4.2 X 12 VIS-TARAUUD ST 4.2 X 12 TORNILLO AUTORROSCANTE ST 4.2 X 12 PARAFUSO TAPPING ST 4.2 X 12

EXPLODED VIEW OF CONTROL PANEL – ICECUT 200



NUMBER	CODE	DESCRIPTION
--------	------	-------------

1	48H397	MOTOR START SWITCH (GREEN LED) INTERRUPTEUR DU MOTEUR (DEL VERT) INTERRUPTOR DEL MOTOR (LED VERDE) INTERRUPTOR DO MOTOR (LED VERDE)
2	48H398	MOTOR STOP SWITCH (RED LED) INTERRUPTEUR DU MOTEUR (DEL ROUGE) INTERRUPTOR DEL MOTOR (LED ROJO) INTERRUPTOR DO MOTOR (LED VERMELHO)
3	48H399	MAGNET SWITCH INTERRUPTEUR DE L'ÉLECTRO-AIMANT INTERRUPTOR DE ELECTROIMÁN INTERRUPTOR ELECTROÍMÃ
4	48H400	RED LED LED ROUGE LED ROJO LED VERMELHO
5	48H401	GREEN LED LED VERT LED VERDE LED VERDE
6	48S227	SCREW M3 X 12 BTTN HD VIS M3 X 12 BTTN HD TORNILLO M3 X 12 BTTN HD PARAFUSO M3 X 12 BTTN HD
7	48H402	CONTROL PANEL COVER COUVERCLE DU PANNEAU DE CONTRÔLE CUBIERTA DEL PANEL DE CONTROL TAMPA DO PAINEL DE CONTROLE
8	48H408 (120V) 48H421 (230V)	CONTROL PLATE PLATEAU DE CONTRÔLE PLACA DE CONTROL PLACA DE CONTROLE
9	48H404	NYLON SPACER ESPACEUR EN NYLON ESPACIADOR DE NYLON NYLON ESPAÇADOR
10	48H405	ARRAY BOARD BOÎTIER DE CONNECTION PLACA DE MATRIZ PLACA DE MATRIZ
11	48K608	M3 NUT ÉCROU M3 TUERCA M3 PORCA M3
12	48H406	CONNECTION LINE CÂBLE CONNECTEUR CABLE CONECTOR CABO CONECTOR
13	48H407	CONNECTION LINE CÂBLE CONNECTEUR CABLE CONECTOR CABO CONECTOR

HEAD OFFICE

5977 Trans Canada Highway West
Pointe-Claire, Québec, H9R 1C1
Tel.: 514 630-2800
Fax: 514 630-2825

SIÈGE SOCIAL

5977 Transcanadienne Ouest
Pointe-Claire, Québec, H9R 1C1
Tél.: 514 630-2800
Télec.: 514 630-2825

WALTER SURFACE TECHNOLOGIES USA

810 Day Hill Road
Windsor, CT, 06095
Phone: 860 298-1100 Fax:
860 298-1112

WALTER DE MÉXICO S.A. DE C.V.

Boulevard La Carreta No. 835
Parque Industrial
Belenes Norte, CP 45145 Zapopan
Jalisco, México
Tel.: (33) 11 99 15 15
Fax: (33) 11 99 51 19 y
Fax Sin Costo: 01 (800) 087 5119

WALTER INDÚSTRIA E COMÉRCIO LTDA.

Rue Marco Giannini, 426
Jd. Gilda Maria
CEP. 05550-000
São Paulo – SP
Tel.: (11) 3783-9500
Fax: (11) 3783-9501 www.walter.com

